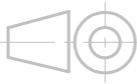

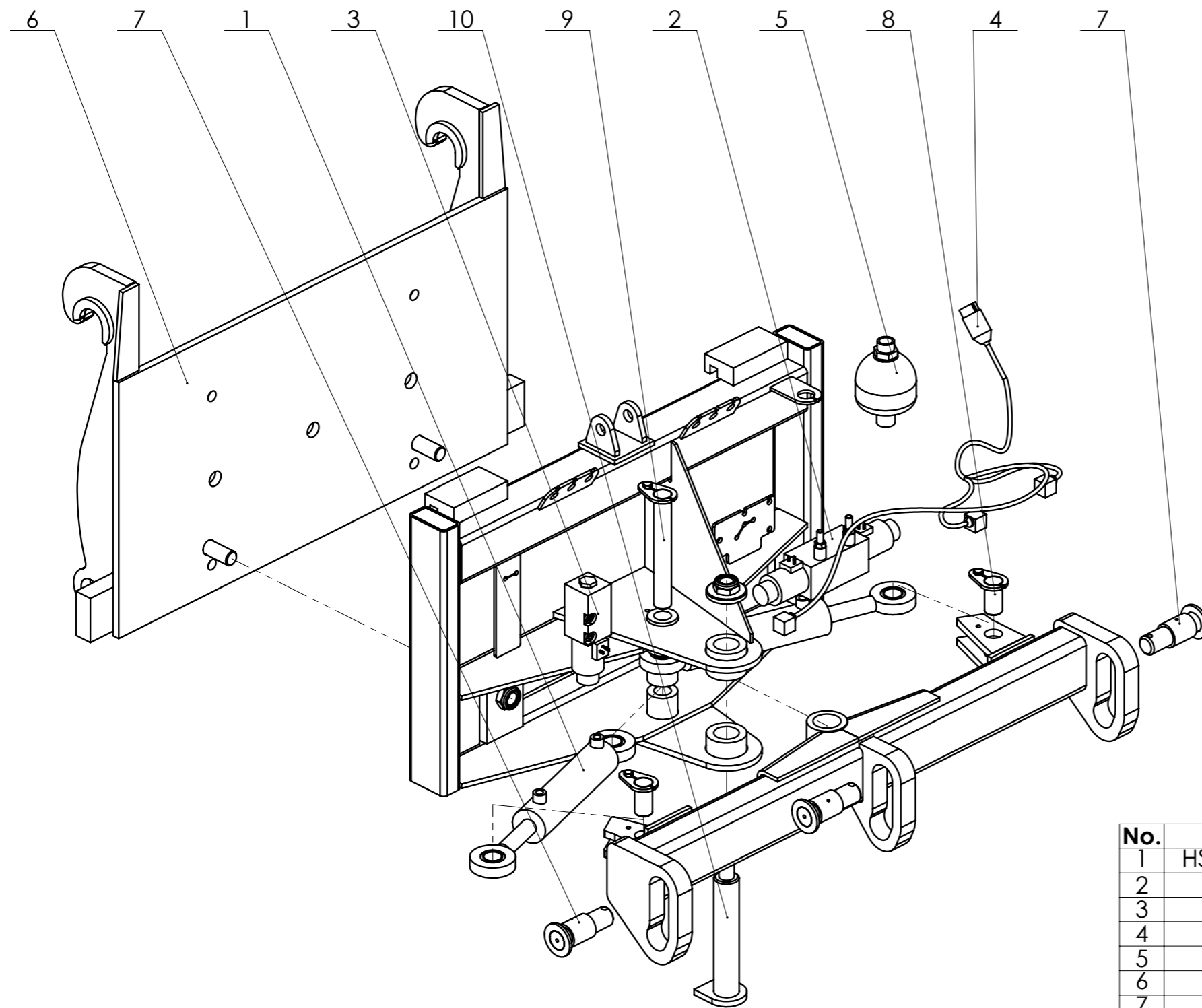
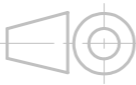



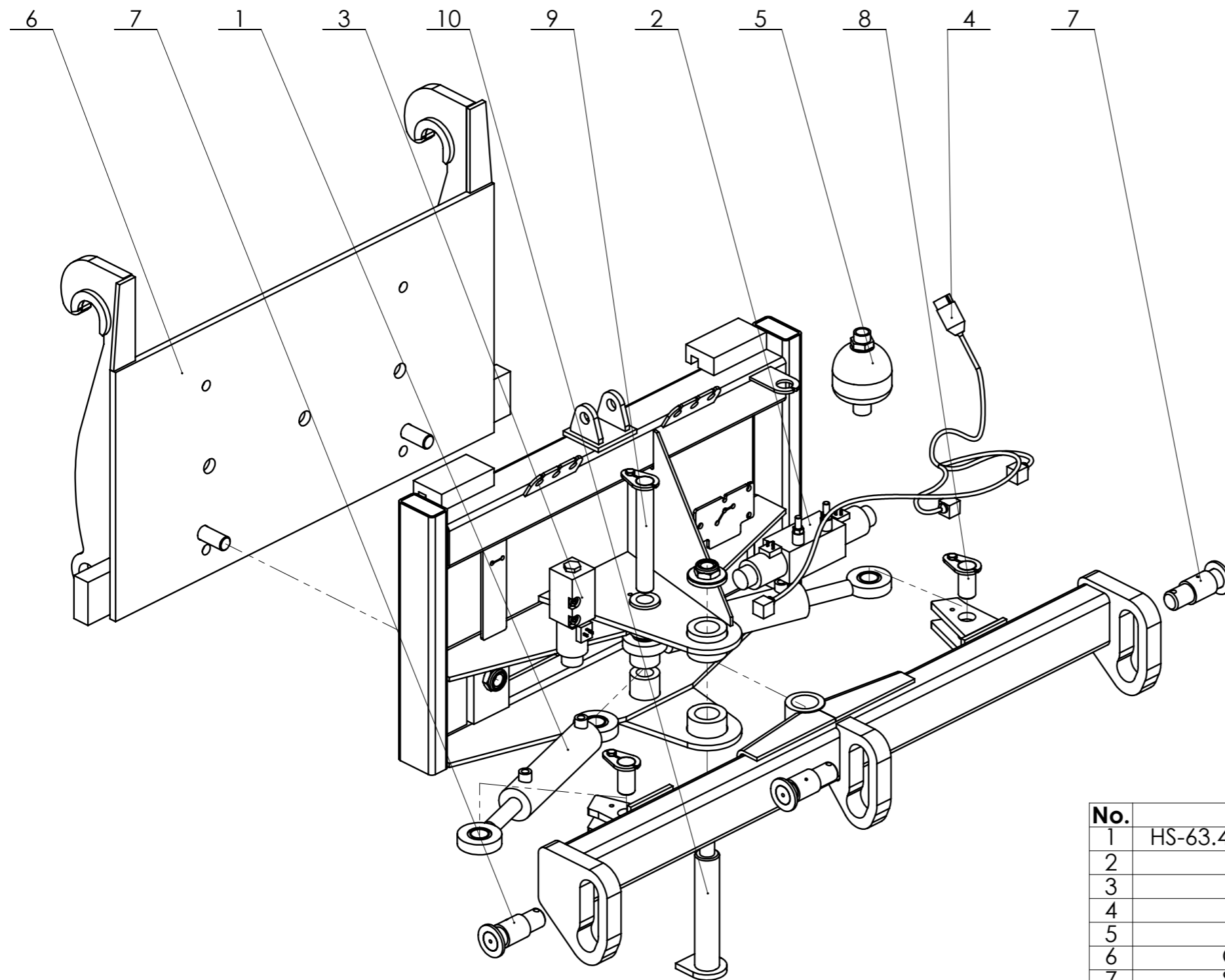
No.	ID-code	Part name	QTY
1	HS-55.32.160.365GE30x2	Cylinders for coupler frame	2
2	E8312PVU	Direction valve	1
3	E6212YSP	Direction valve	1
4	KBL-SZ	Solenoid cable	1
5	HA-482	Pressure accumulator	1
6	CP-THM-00	Coupler plate	1
7	SZ-1450.04.00	Pin with bushing for central link	2
8	Pin-30.195.B	Cylinder pins	2
9	Pin-30.250.B	Cylinder pin	1
10	Pin-40.320.F	Central pin	1

	Materjal	Objekt	Mõõtkava
Teostas	Kaimo Gutmann	Nimetus	
Kontrollis		SZ 1450-Coupler frame assembly	
Kinnitas		Leht	Kuupäev
		1 of 1	19.09.2013

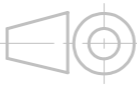



No.	ID-code	Part name	QTY
1	HS-63.32.200.410GE35x2	Cylinders for coupler frame	2
2	E8312PVU	Direction valve	1
3	E6212YSP	Direction valve	1
4	KBL-SZ	Solenoid cable	1
5	HA-482	Pressure accumulator	1
6	CP-THM-00	Coupler plate	1
7	SZ-00.04.00	Pin with bushing for central link	3
8	Pin-35.70.B	Cylinder pins	2
9	Pin-35.255.B	Cylinder pin	1
10	Pin-50.320.F	Central pin	1

	Materjal	Objekt	Mõõtkava
Teostas	Kaimo Gutmann	Nimetus	
Kontrollis		SZ 1700-2000-Coupler frame assembly	
Kinnitas		Leht	Kuupäev
		1 of 1	19.09.2013



No.	ID-code	Part name	QTY
1	HS-63.40.200.410GE35x2	Cylinders for coupler frame	2
2	E8312PVU	Direction valve	1
3	E6212YSP	Direction valve	1
4	KBL-SZ	Solenoid cable	1
5	HA-482	Pressure accumulator	1
6	CP-THM-00	Coupler plate	1
7	SZ-00.04.00	Pin with bushing for central link	3
8	Pin-35.70.B	Cylinder pins	2
9	Pin-35.255.B	Cylinder pin	1
10	Pin-50.320.F	Central pin	1

	Materjal	Objekt	Mõõtkava
Teostas	Kaimo Gutmann	Nimetus	
Kontrollis		SZ 2500-2700-Coupler frame assembly	
Kinnitas		Leht	Kuupäev
		1 of 1	19.09.2013