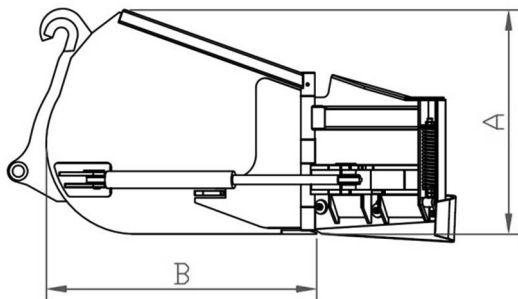




snowstar®

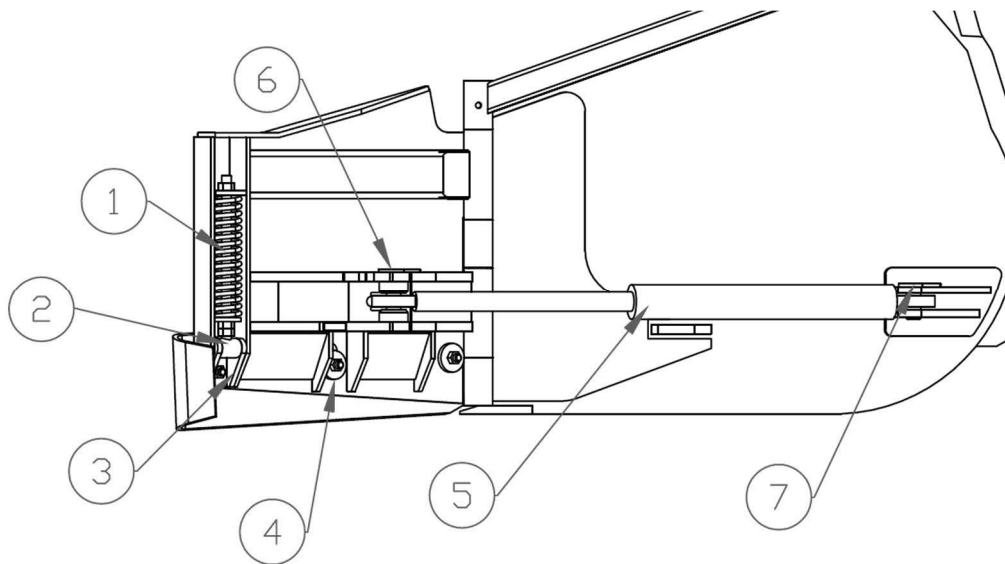
SNOWSTAR TAKE BETTER MACHINES

Multi Purpose - Snow Bucket



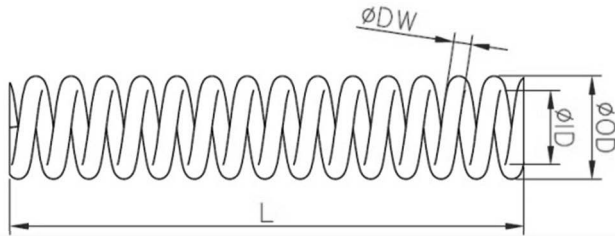
Code	Capacity	A	B	Wide	Weight
MSB 140	500L	755	855	1400-2560	291
MSB 170	650L	820	995	1700-3170	655
MSB 200	1500L	960	1160	2000-3470	667
MSB 250	2500L	960	1160	2500-3970	685
MSB 270	3500L	1400	1550	2700-4700	1339
MSB 290	4000L	1400	1550	2900-4900	1439





1- Spring	2 pc
2- Long wing bolt	2 pc
3- Slider	2 pc
4- Distance washer	4 pc
5- Hydraulic cylinder	2 pc
6- Long cylinder pin	2 pc
7- Short cylinder pin	2 pc

1- Spring



Part code	L	øDW	øID	øOD	Fit:
d9xDa64xL285/s17	285 mm	9 mm	46mm	64mm	MSB170-290
d8xDA61xL150/s18	150 mm	8 mm	45mm	61mm	MSB140

2- Long wing bolt



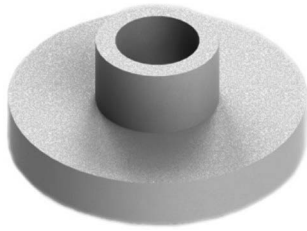
Part code	L	Fit:
MSB140-0310	258 mm	MSB140
MSB200-0310	380 mm	MSB170-290

3- Slider



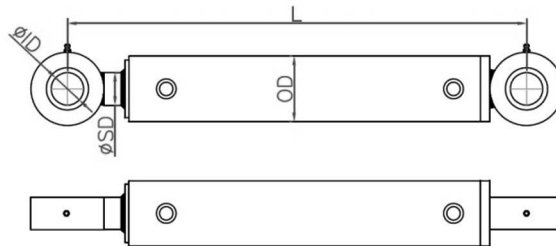
Part code	Fit:
MSB140-0393	MSB140
MSB200-0393	MSB170-290

4- Distance washer



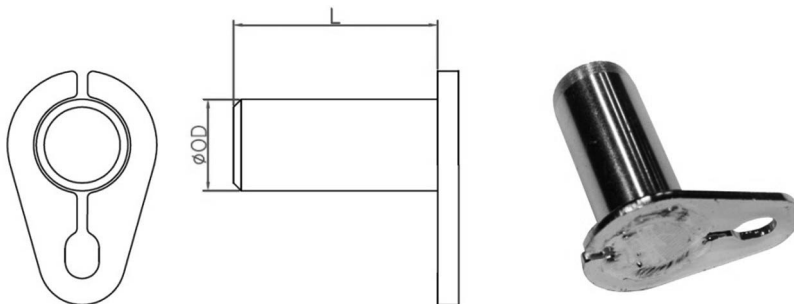
Part code	Fit:
MSB140-0342	MSB140
MSB200-0342	MSB170-290

5- Hydraulic cylinder



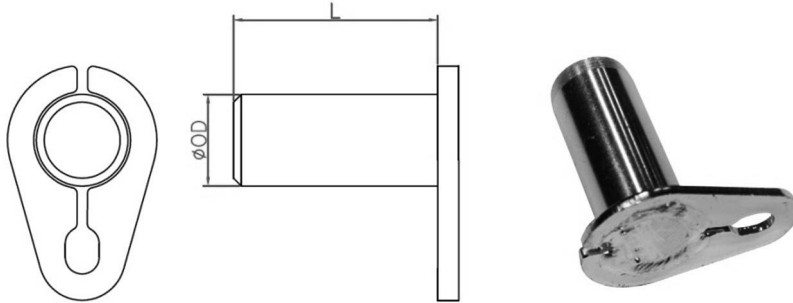
Part code	L	ϕID	Fit:
50-32-355GE30x2	540 mm	30 mm	MSB140
63-40-445GE30x2	640 mm	30 mm	MSB170
60-40-475GE30x2	660 mm	30 mm	MSB200-290

6- Long cylinder pin



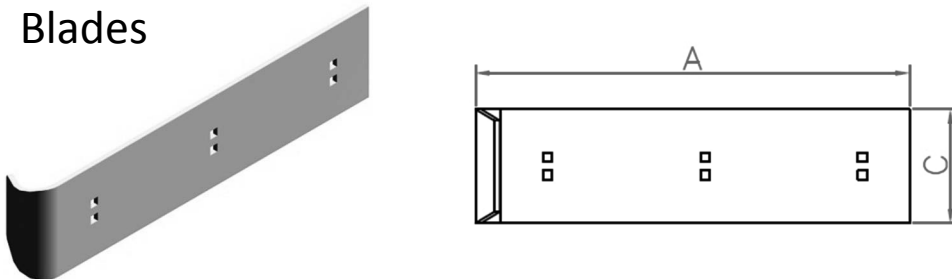
Part code	L	ϕOD	Fit:
MSB140-0395	115 mm	30 mm	MSB140
MSB200-0395	125 mm	30 mm	MSB170-290

7- Short cylinder pin



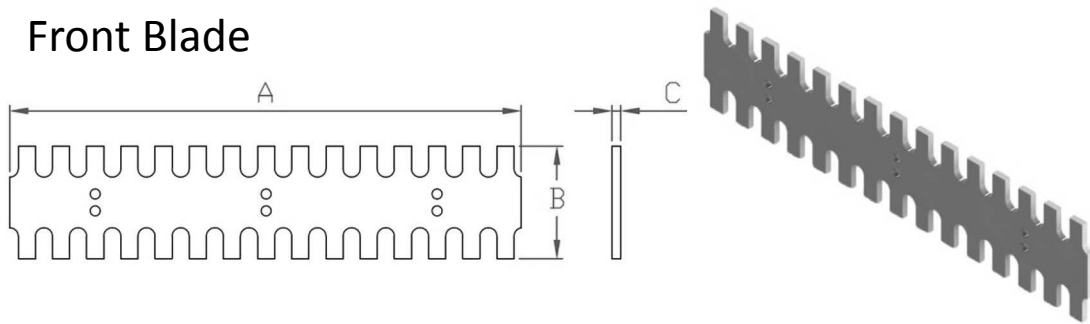
Part code	L	øOD	Fit:
MSB140-0394	70 mm	30 mm	MSB140
MSB200-0394	70 mm	30 mm	MSB170-290

Blades



Part code	A	C	Fit:
MSB140-0001	740	200	MSB140
MSB200-0001	740	200	MSB170-250
MSB270-0001	840	200	MSB270-290

Front Blade



Part code	A	B	C	Fit:
MSB170-0396	795	200	12	MSB170
MSB200-0396	912	200	12	MSB200
MSB250-0396	1098	200	12	MSB250
MSB270-0396	1281	200	16	MSB270
MSB290-0396	1403	200	16	MSB290