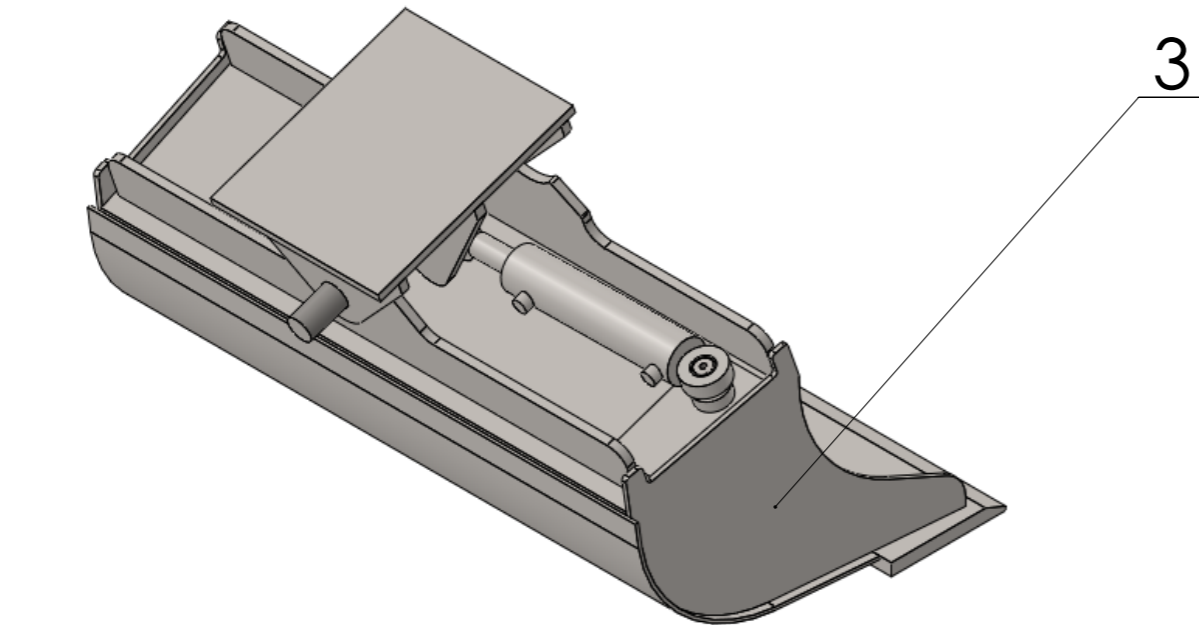


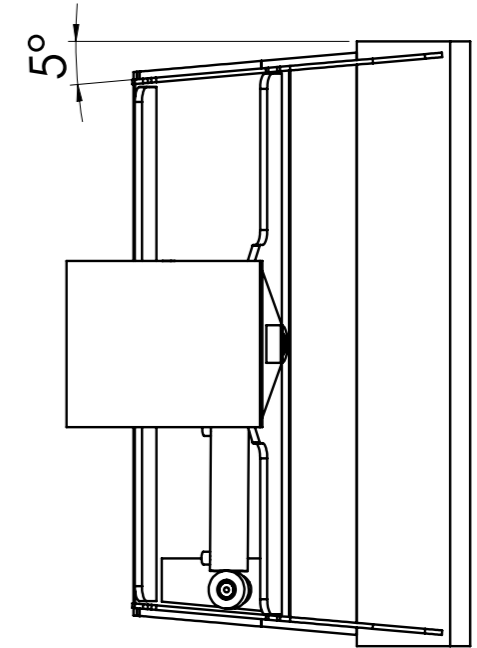
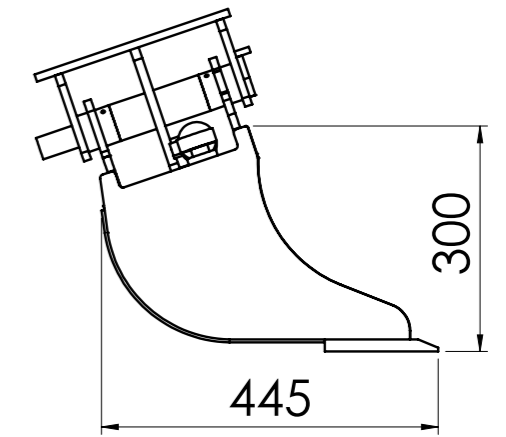
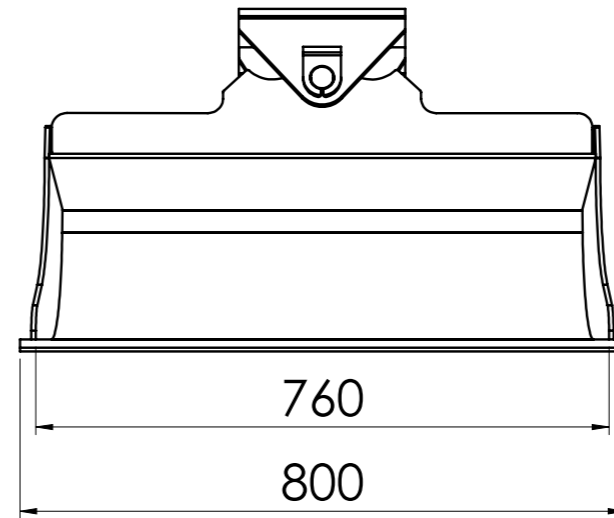
1



2



3



Bucket tilt angle is 45°

3	Side member	HB 400	6 mm
2	Bottom plate	HB 400	4C2 mm
1	Front edge	HB 500	16x150x800 mm
NO.	TITLE	MATERIAL	DESCRIPTION

	Volume	40 L	Mass	70 kg	Scale

Drawn	Teet Toming	Name HPB103
Checked		
Approved		

	Sheet	Date
	1 of 1	30.09.2015