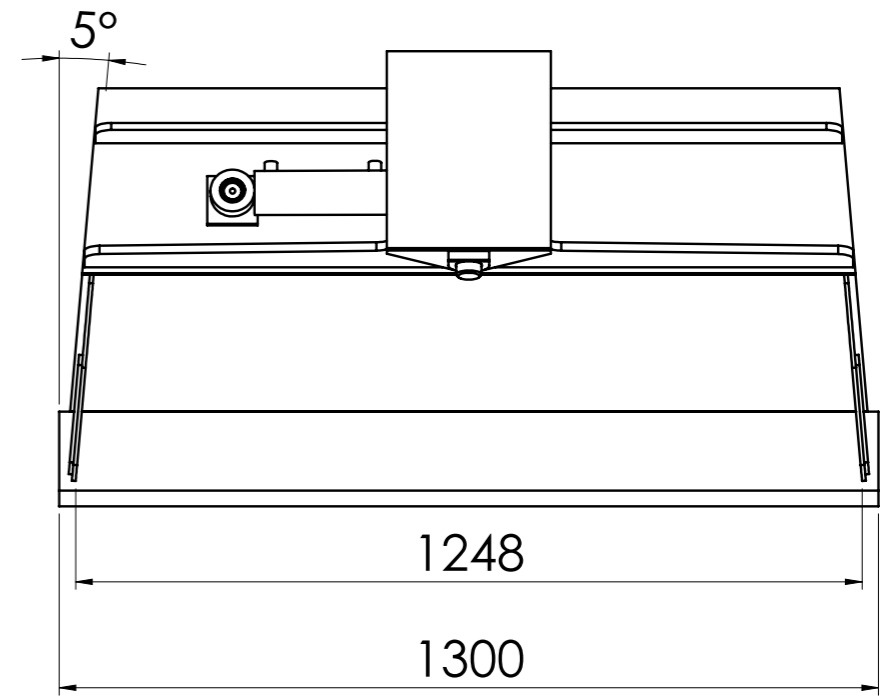
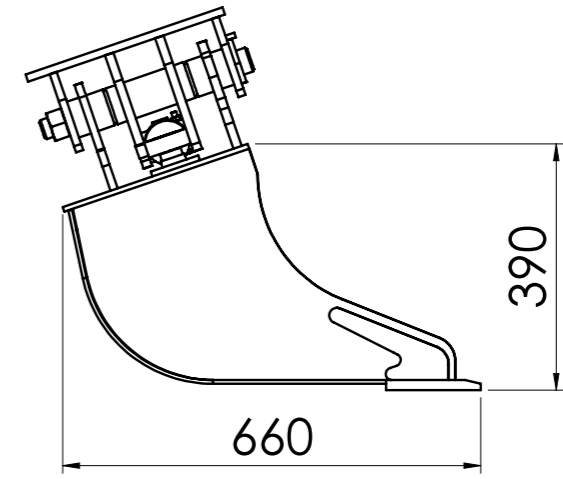
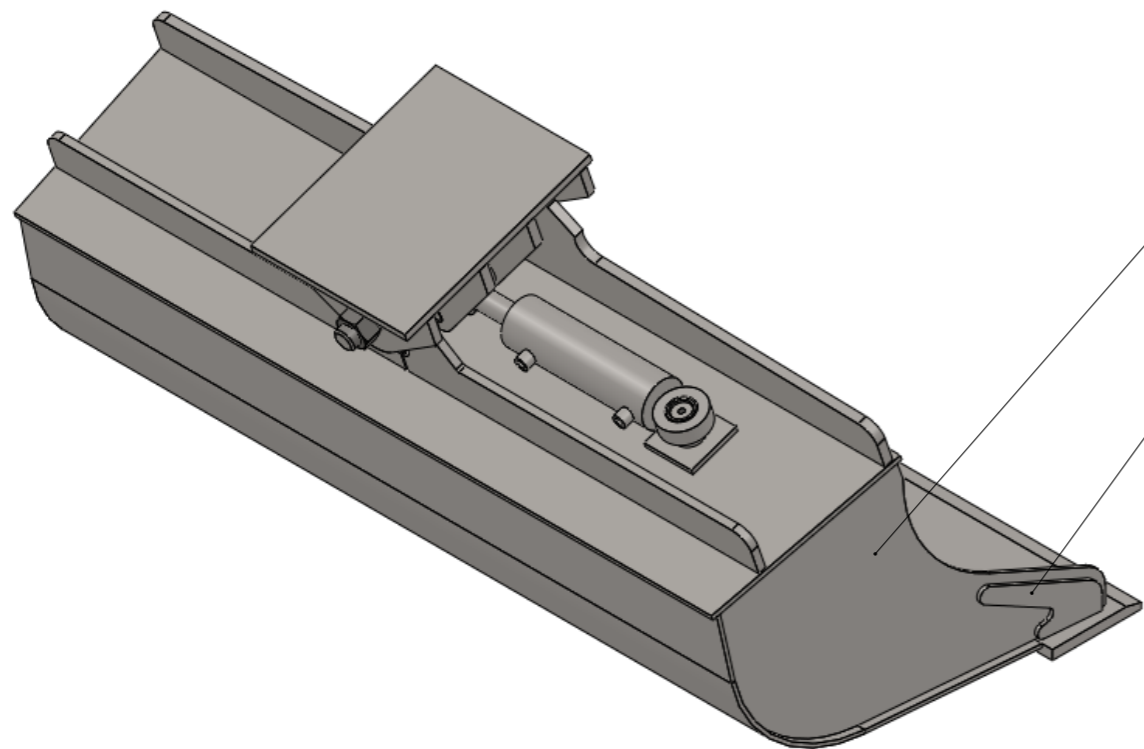


1

2

3

4




Buckets tilt angle is 45°

4	Side member	HB 400	6 mm
3	Side	HB 400	6 mm
2	Bottom plate	HB 400	6 mm
1	Front edge	HB 500	16x150x1300 mm
NO.	TITLE	MATERIAL	DESCRIPTION

	Volume	220 L	Mass	180 kg	Scale

Drawn	Teet Toming	Name HPB110
Checked		
Approved		

	Sheet	Date
	1 of 1	30.09.2015