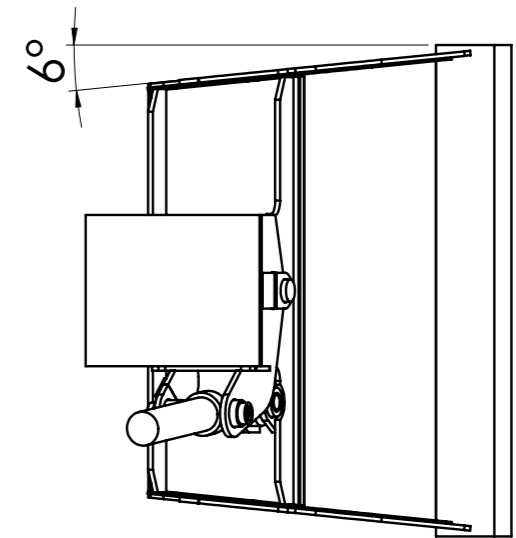
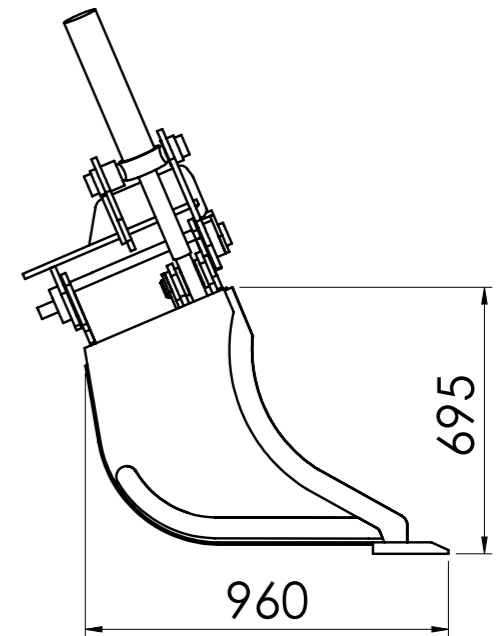
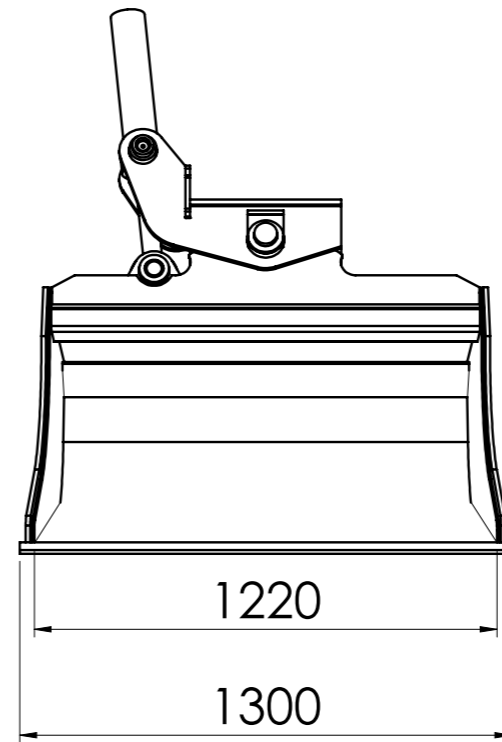
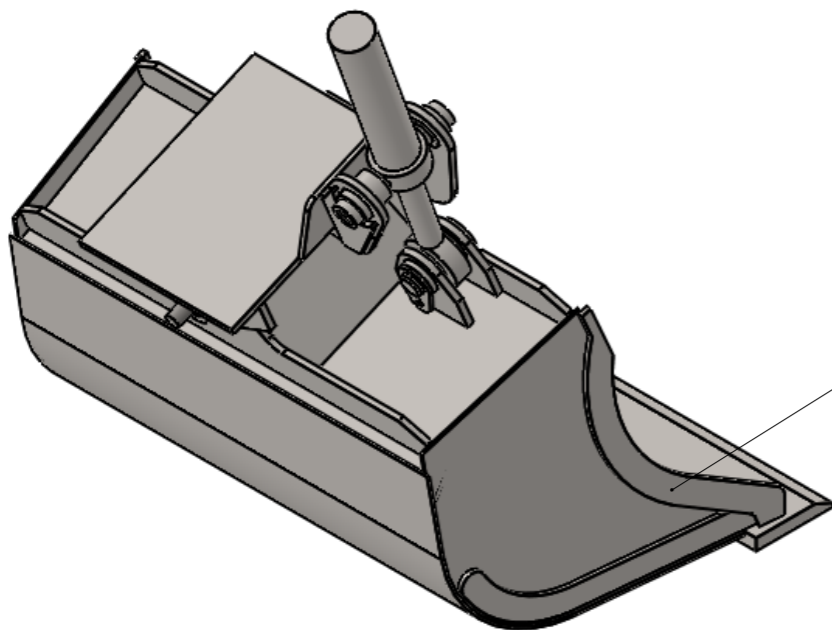


1



2



3

Recommended machine weight <8 t

3	Side member	HB 400	12 mm
2	Bottom plate	HB 400	6 mm
1	Front edge	HB 500	20x200x1300 mm

NO.	TITLE	MATERIAL	DESCRIPTION
-----	-------	----------	-------------

	Volume	500 L	Mass	355 kg	Scale
--	--------	-------	------	--------	-------

Drawn	Teet Toming	Name	
Checked		HPB115	
Approved			

PTC	Sheet	Date
	1 of 1	2.06.2015