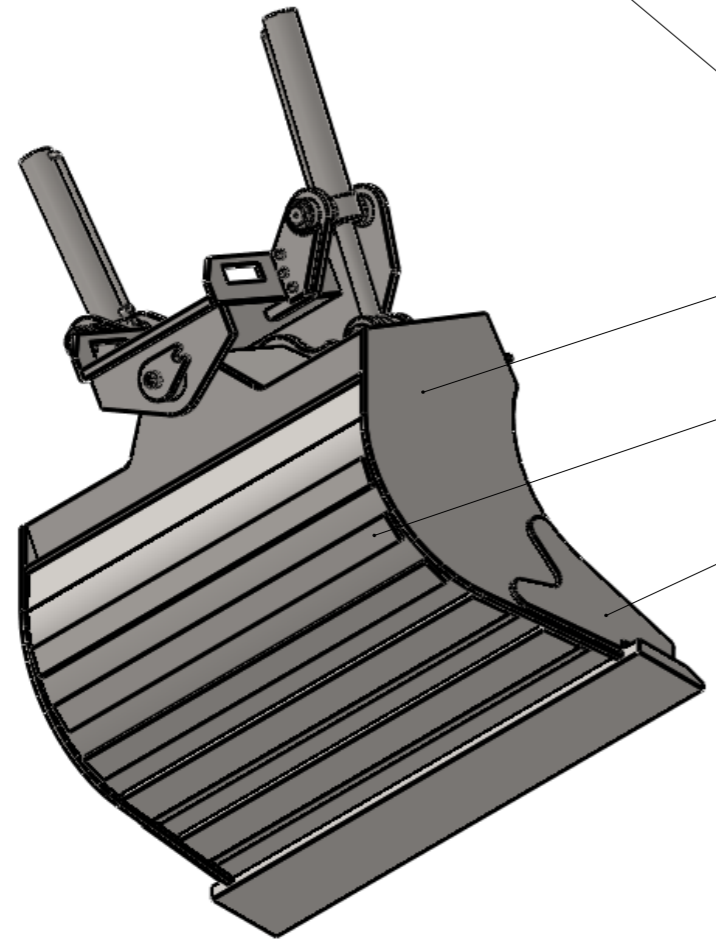


1

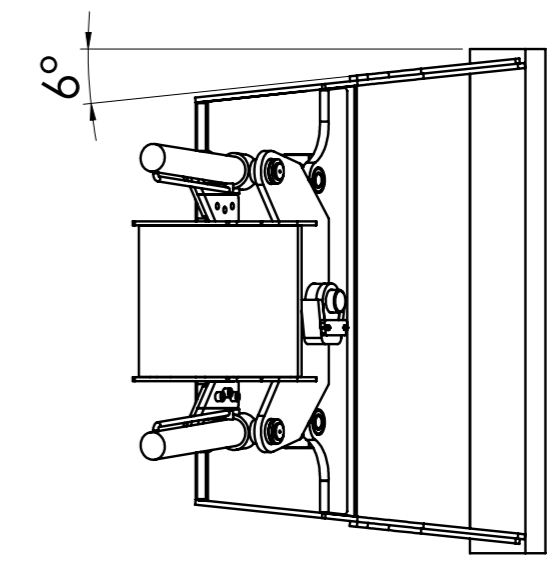
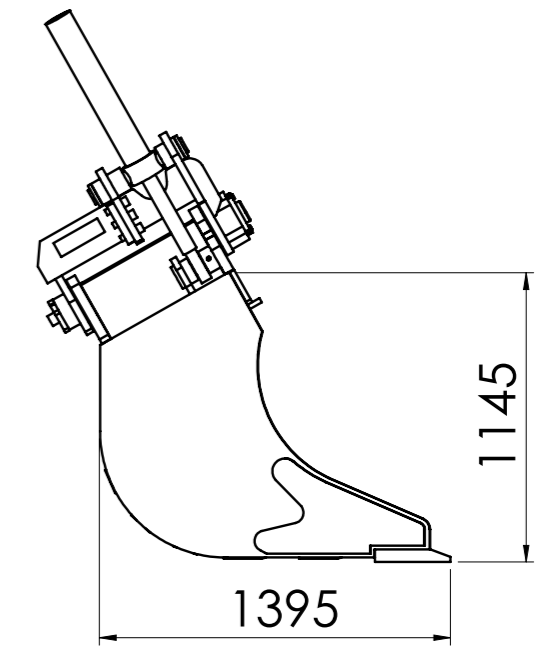
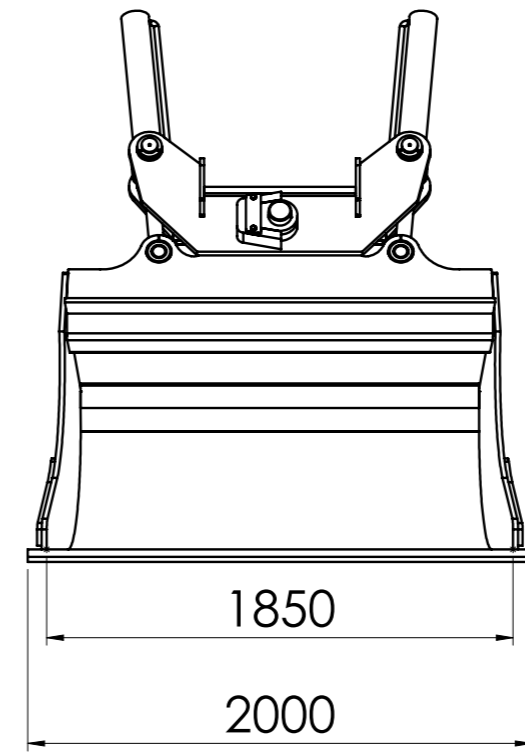


2

3

4

5



5	Side member	HB 400	20 mm
4	Bottom bar	HB 500	20x100/25x200 mm
3	Side	HB 400	20 mm
2	Bottom plate	S 355	12 mm
1	Front edge	HB 500	50x300x2000 mm
NO.	TITLE	MATERIAL	DESCRIPTION

	Volume	1500 L	Mass	2000 kg	Scale
	Drawn	Teet Toming		Name	
Checked			HPB-123		
Approved			Sheet	Date	
			1 of 1	30.09.2015	