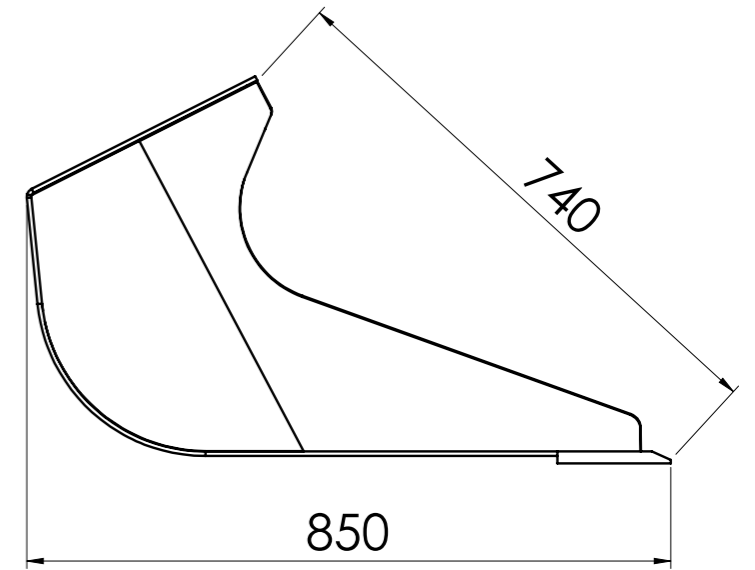
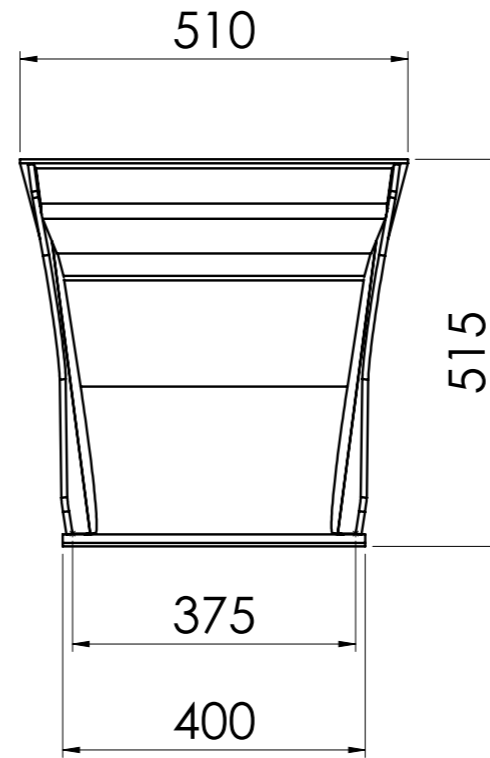
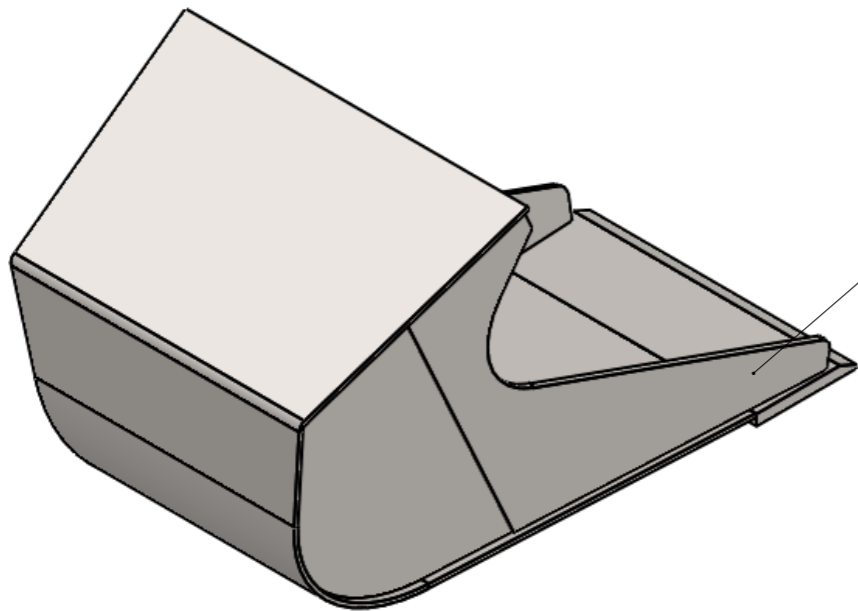


1

2

3



4	Teeth	-	J200
3	Side member	HB 400	8 mm
2	Bottom plate	HB 400	6 mm
1	Front edge	HB 500	16x150x400 mm
NO.	TITLE	MATERIAL	DESCRIPTION

	Volume	100 L	Mass	70 kg	Scale
--	--------	-------	------	-------	-------

Drawn	Teet Toming	Name
Checked		
Approved		
		CAB857

	Sheet	Date
	1 of 1	17.09.2015