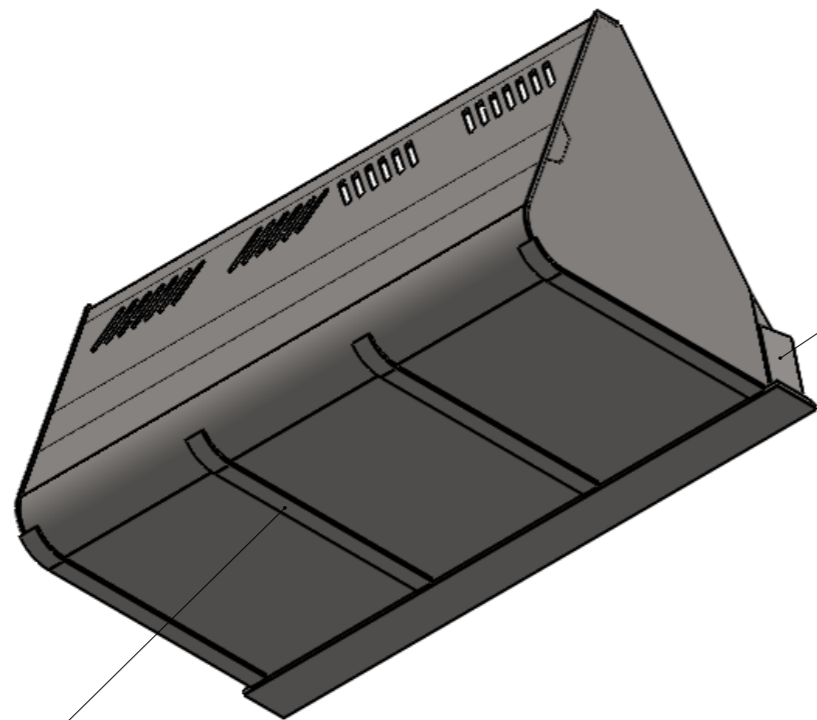


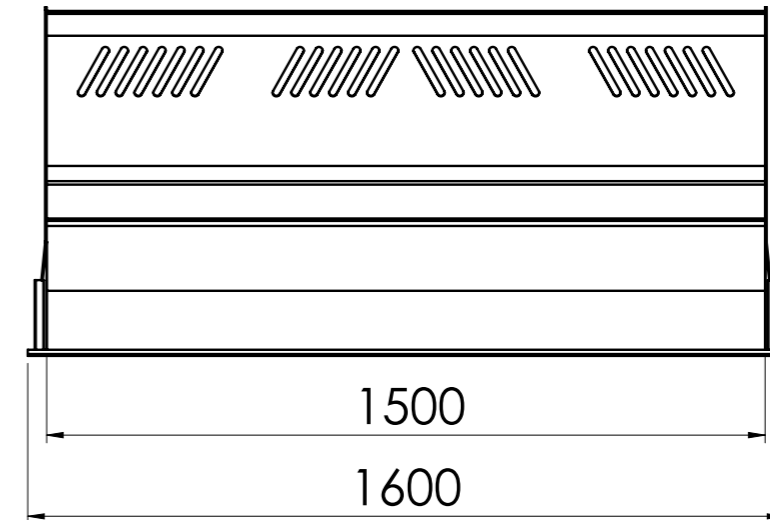
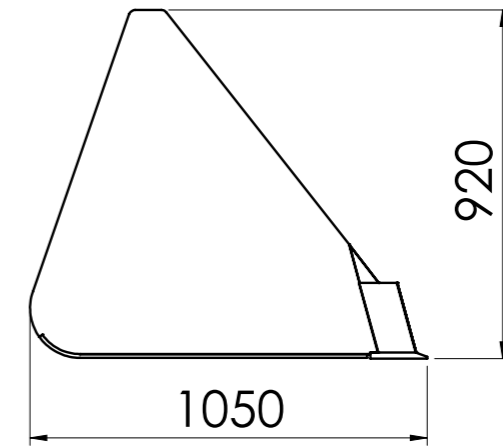
2

1



3

4



4	Bottom bar	S355	10 mm
3	Side member	HB 500	101x21/11x610 mm
2	Bottom plate	S355	4 mm
1	Front edge	HB 500	16x150x1600
NO.	TITLE	MATERIAL	DESCRIPTION

	Volume	930 L	Mass	195 kg	Scale
--	--------	-------	------	--------	-------

Drawn	Teet Toming	Name	
Checked		LMB490/1600	
Approved			

PTC	Sheet	Date
	1 of 1	27.04.2015