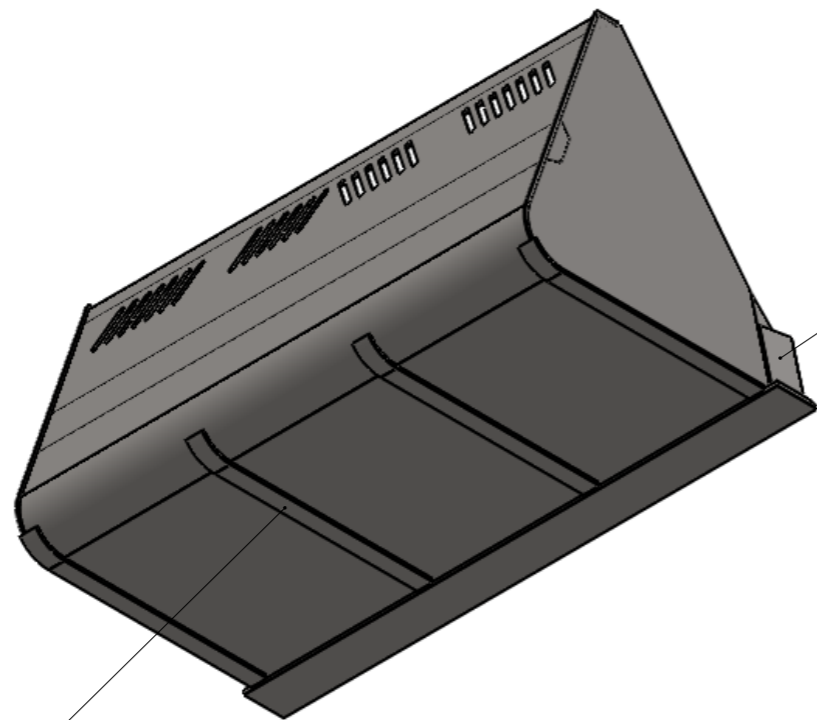


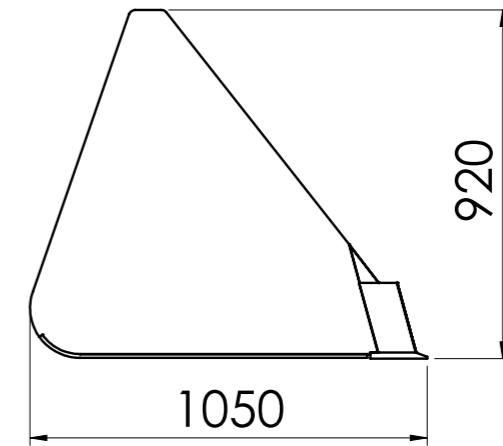
2

1



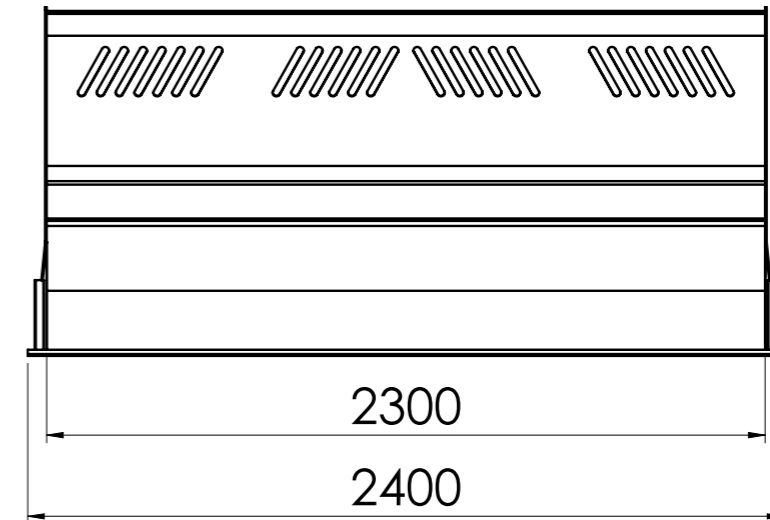
4

3



1050

920




2300

2400

4	Bottom bar	S355	10 mm
3	Side member	HB 500	101x21/11x610 mm
2	Bottom plate	S355	4 mm
1	Front edge	HB 500	16x150x2400
NO.	TITLE	MATERIAL	DESCRIPTION

	Volume	1450 L	Mass	260 kg	Scale
---	--------	--------	------	--------	-------

Drawn	Teet Toming	Name	
Checked		LMB490/2400	
Approved			

	Sheet	Date
	1 of 1	27.04.2015