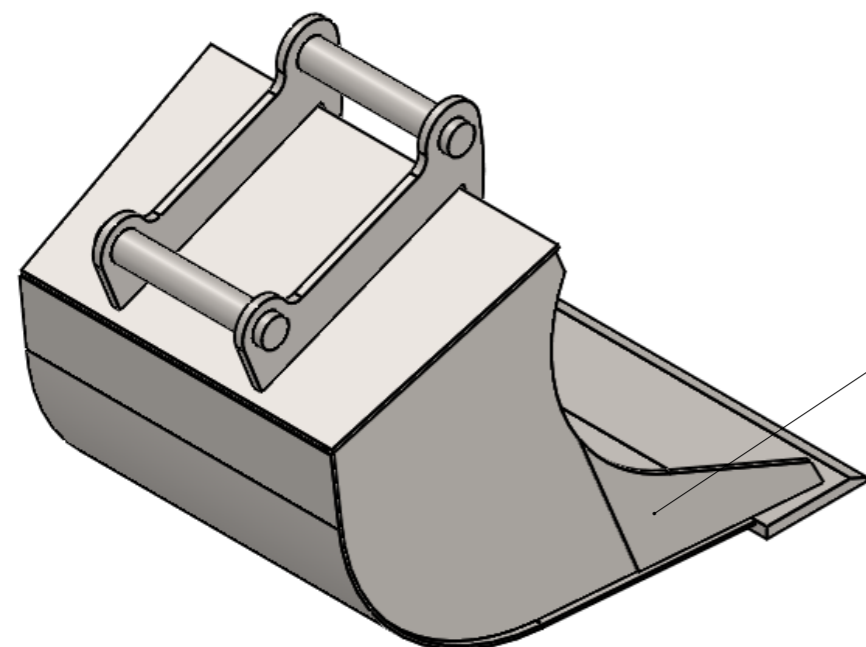


1

2

3



Recommended machine weight <3 t

3	Side member	HB 400	8 mm
2	Bottom plate	HB 400	4 mm
1	Front edge	HB 500	16x150x600 mm
NO.	TITLE	MATERIAL	DESCRIPTION

	Volume	100 L	Mass	65 kg	Scale
--	--------	-------	------	-------	-------

Drawn	Teet Toming	Name	
Checked		DGB-205	
Approved			

	Sheet	Date
	1 of 1	9.09.2015