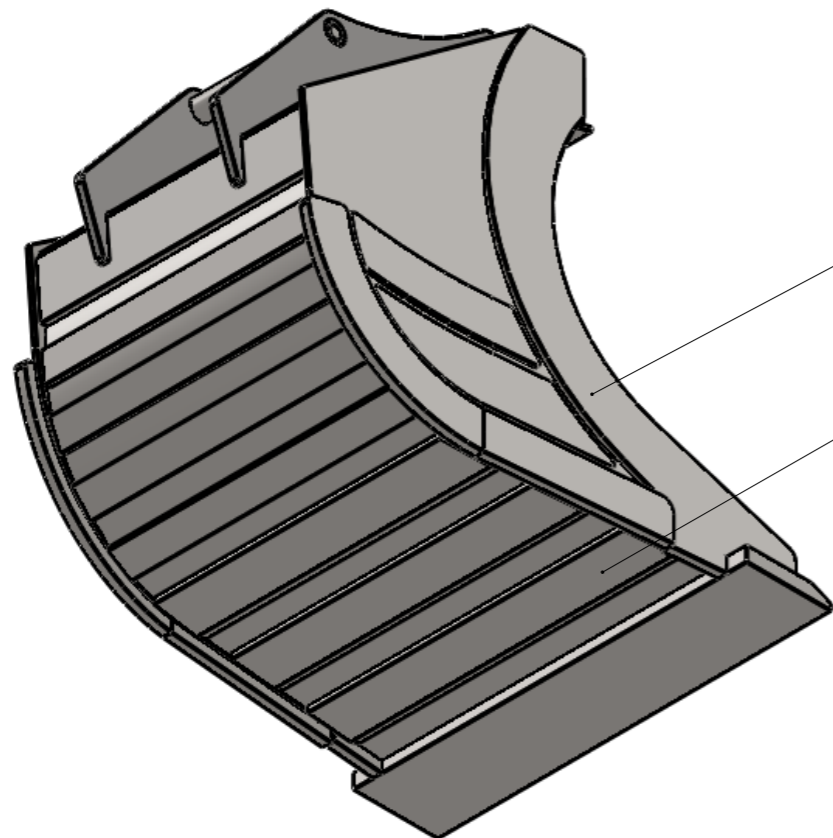


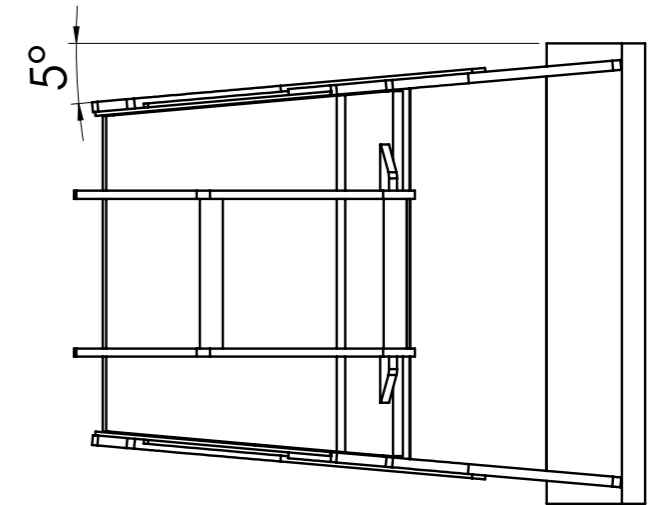
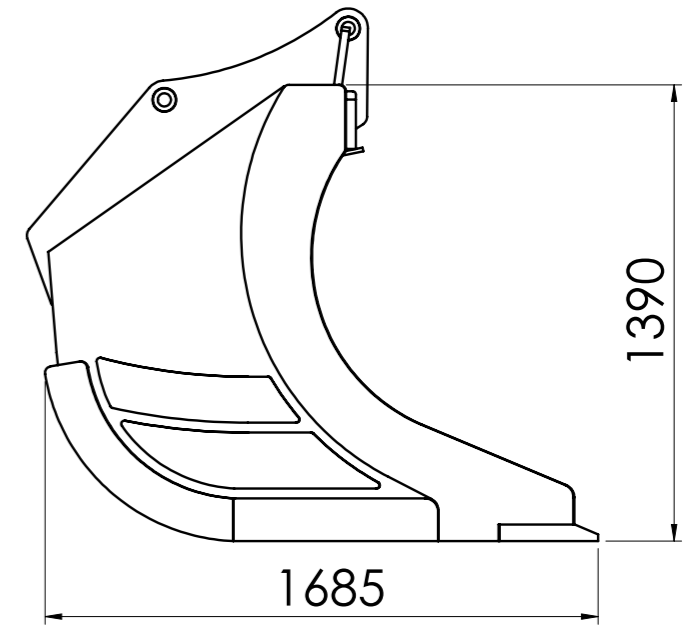
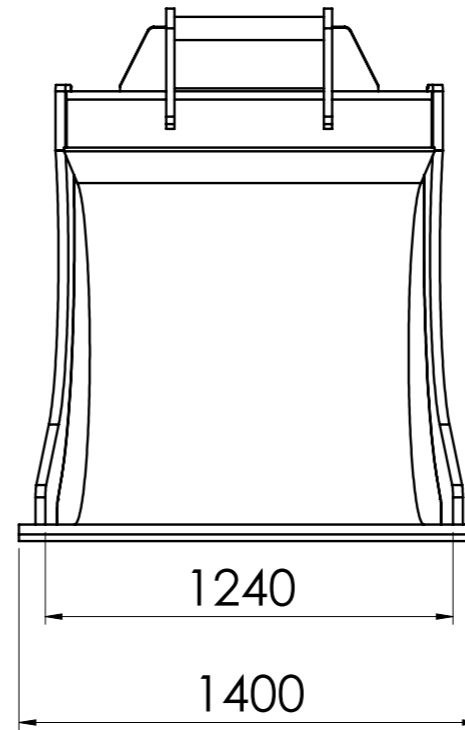
1

2



3

4



4	Bottom bar	HB 500	20x100/20x200 mm
3	Side member	HB 400	30 mm
2	Bottom plate	S355	12 mm
1	Front edge	HB 500	50x300x1400 mm

NO.	TITLE	MATERIAL	DESCRIPTION
-----	-------	----------	-------------

	Volume	1500 L	Mass	1550 kg	Scale

Drawn	Teet Toming	Name	DGB-225
Checked			
Approved			

	Sheet	Date
	1 of 1	19.10.2015