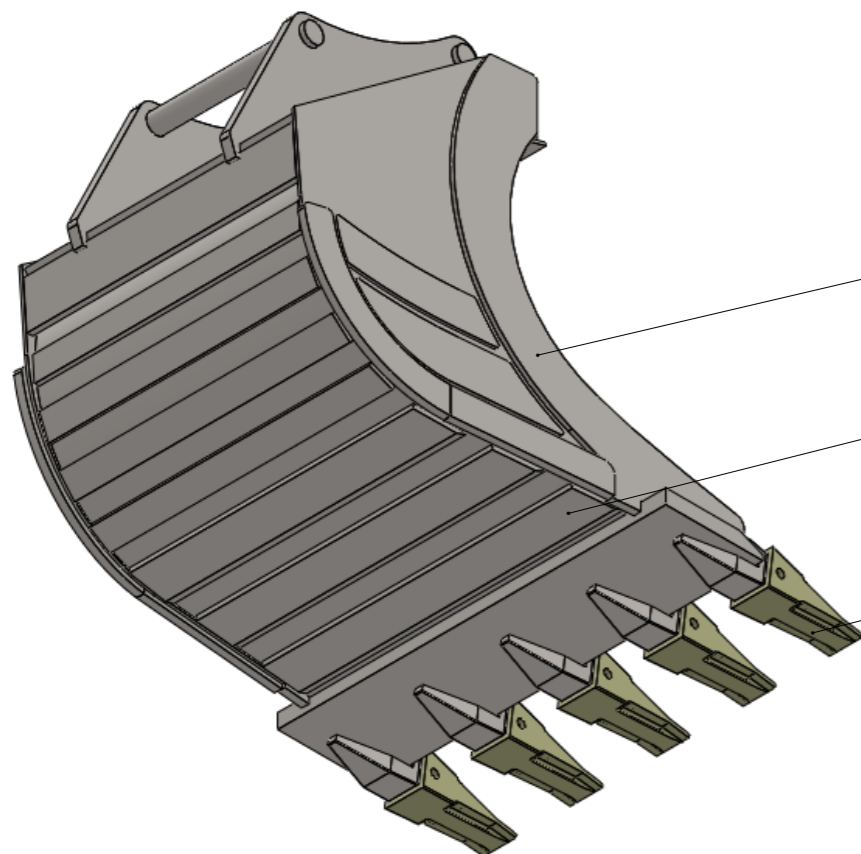


1

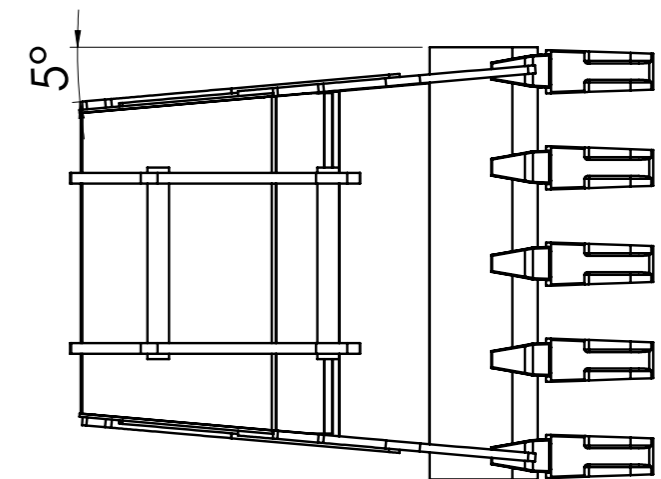
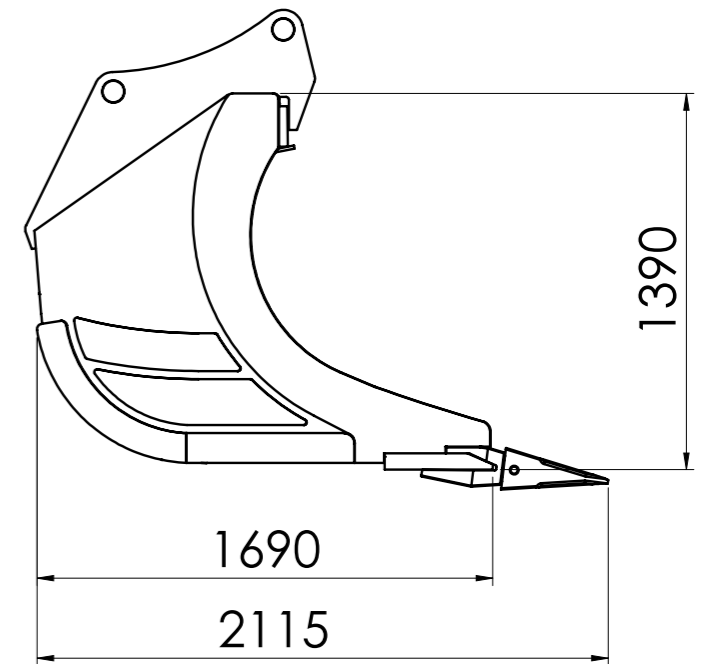
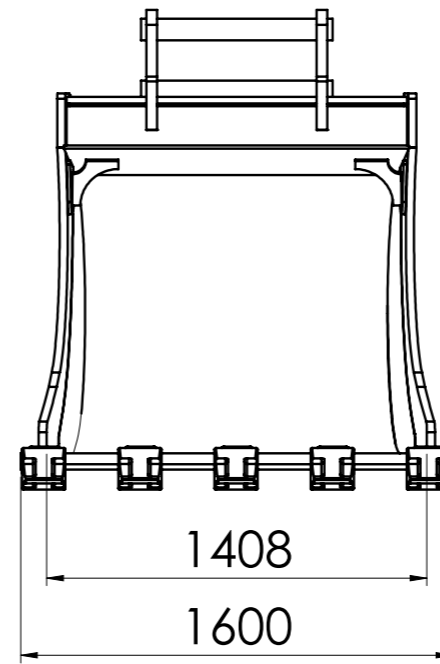


2

3

4

5



5	Teeth	-	J550
4	Bottom bar	HB 500	20x100/25x200 mm
3	Side member	HB 400	30 mm
2	Bottom plate	HB 400	12 mm
1	Front edge	HB 500	60x400x1600 mm
NO.	TITLE	MATERIAL	DESCRIPTION

	Volume	1800 L	Mass	2100 kg	Scale
	Drawn	Teet Toming		Name	DGB-228
Checked					
Approved					
			Sheet	Date	
			1 of 1	19.10.2015	