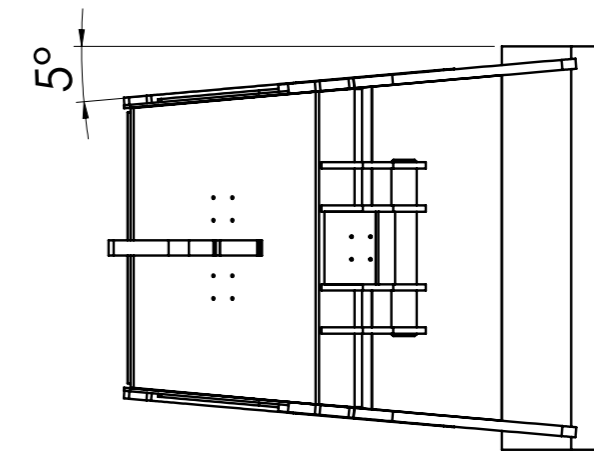
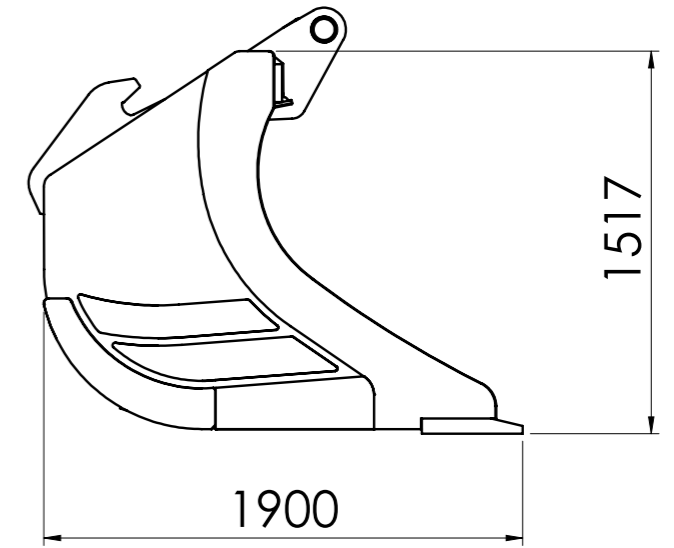
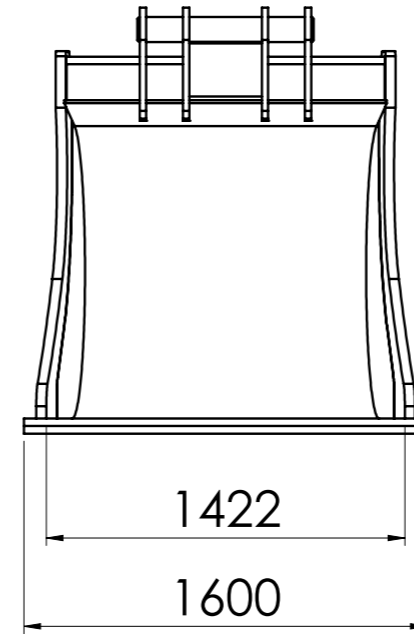
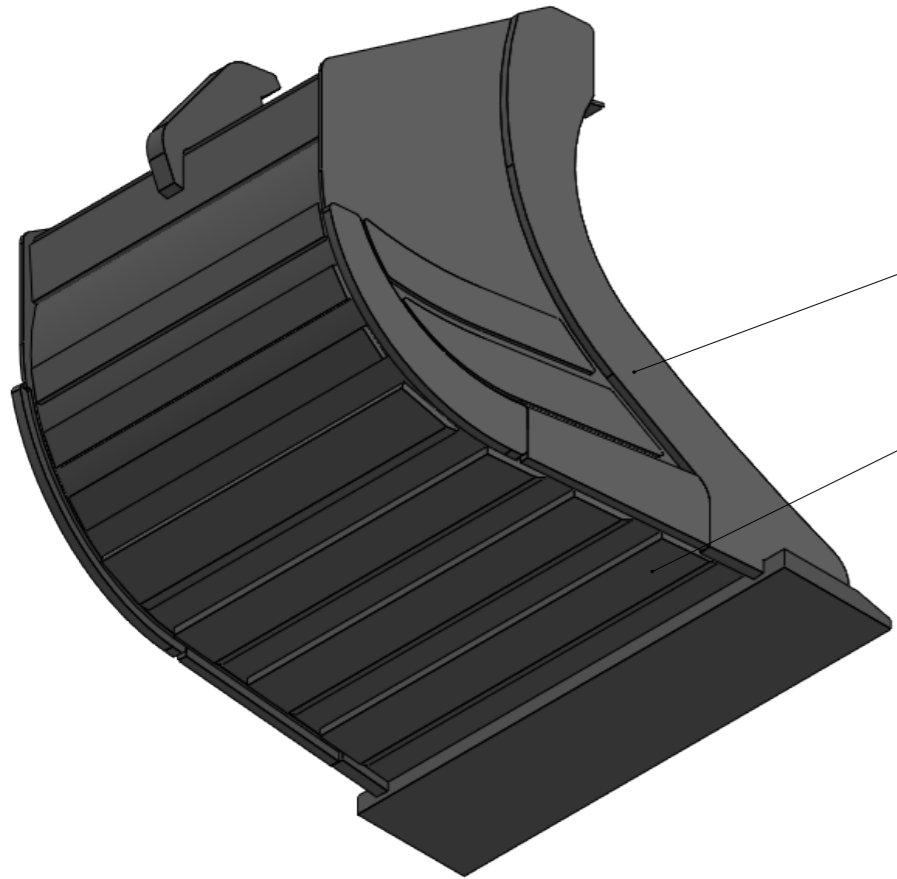


1

2

3

4



4	Bottom bar	HB 500	20x100/25x200
3	Side member	HB 400	40 mm
2	Bottom plate	HB 400	12 mm
1	Front edge	HB 500	60x400x1600 mm

NO.	TITLE	MATERIAL	DESCRIPTION
-----	-------	----------	-------------

	Volume	2000 L	Mass	2000 kg	Scale
--	--------	--------	------	---------	-------

Drawn	Teet Toming	Name	
Checked		DGB-229	
Approved			

	Sheet	Date
	1 of 1	6.04.2016