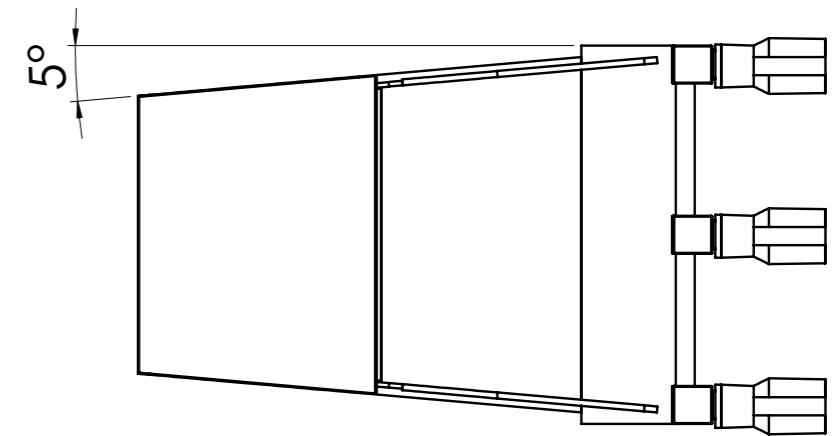
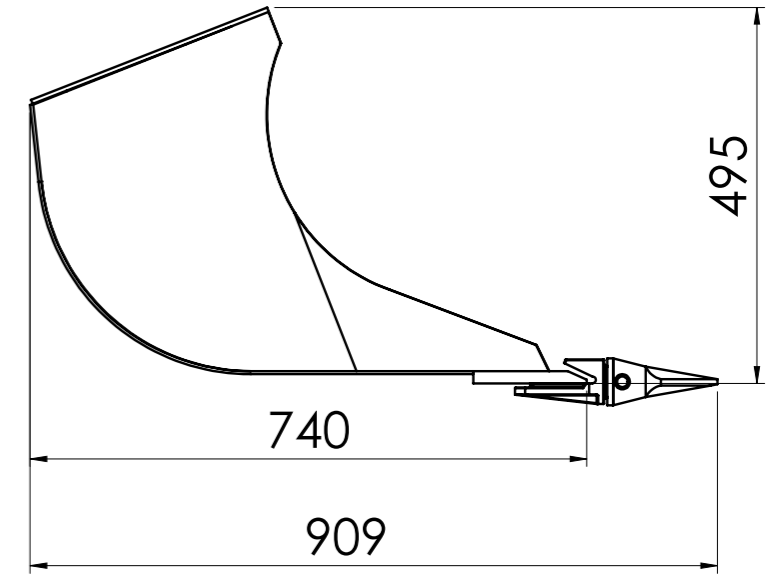
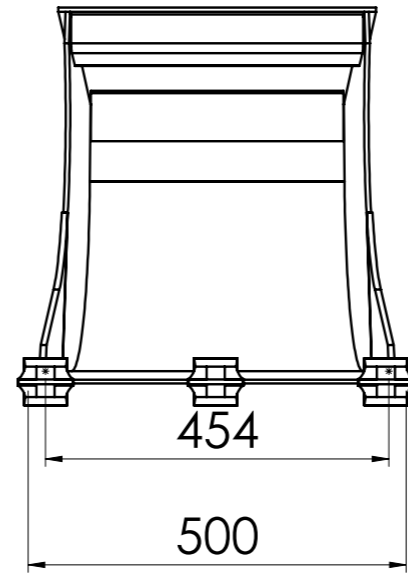
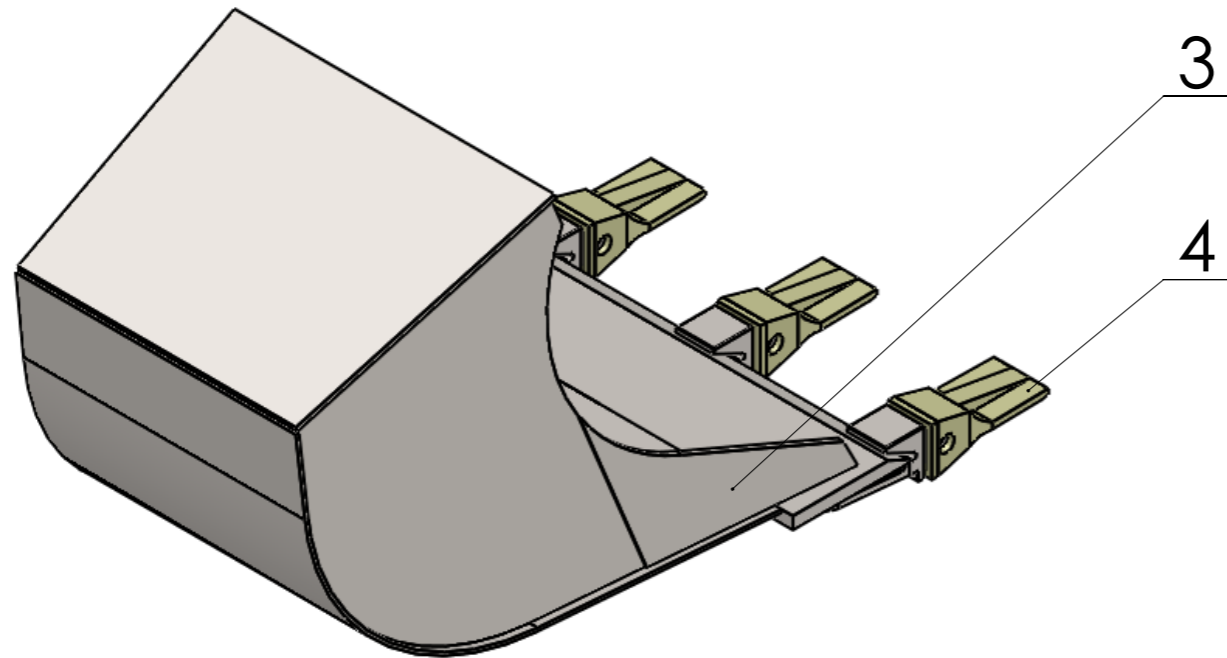


1

2

3

4



4	Teeth	-	J200
3	Side member	HB 400	8 mm
2	Bottom plate	HB 400	4 mm
1	Front edge	HB 500	16x150x500 mm
NO.	TITLE	MATERIAL	DESCRIPTION

	Volume	80 L	Mass	60 kg	Scale

Drawn	Teet Toming	Name	
Checked		DGB-240	
Approved			

	Sheet	Date
	1 of 1	9.09.2015