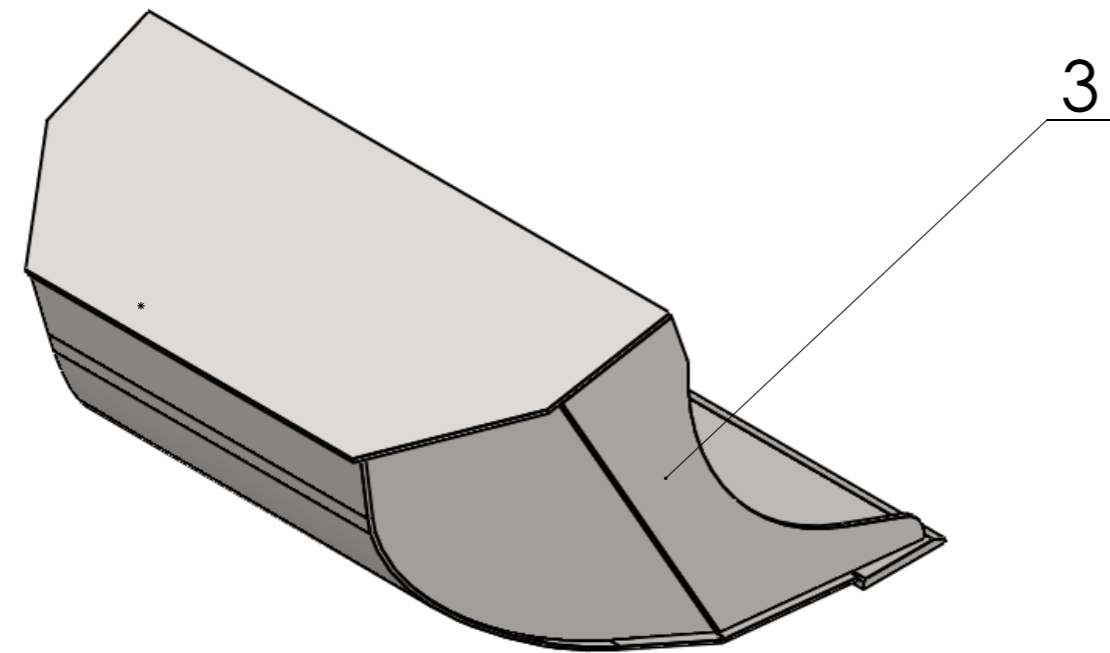
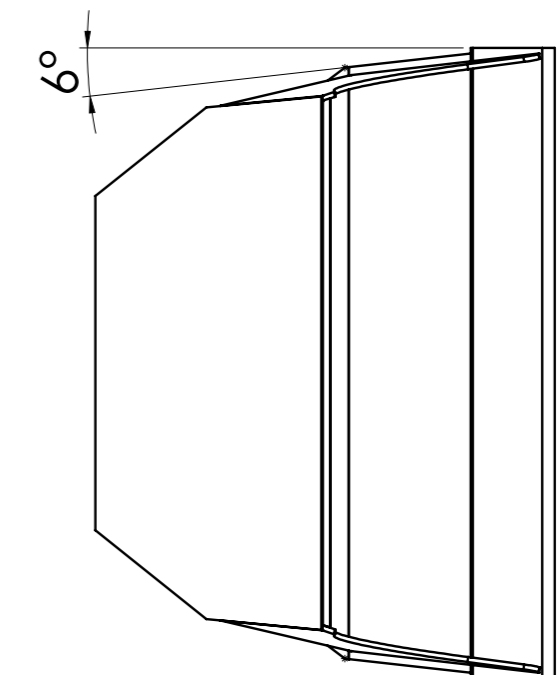
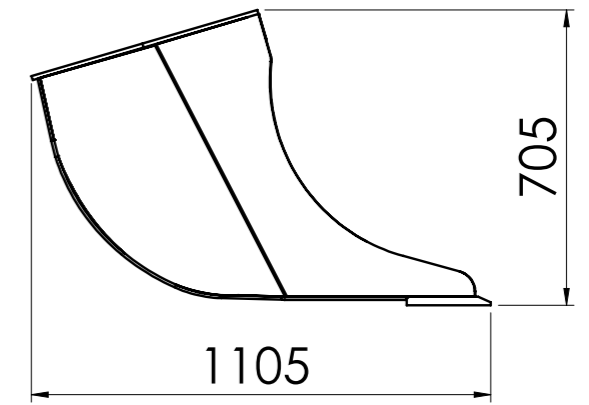
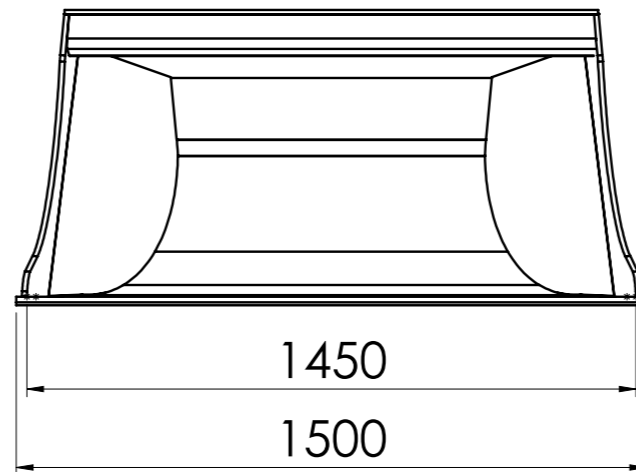


1



2

3



3	Side member	HB 400	12 mm
2	Bottom plate	HB 400	8 mm
1	Front edge	HB 500	20x200x1500 mm

NO.	TITLE	MATERIAL	DESCRIPTION
-----	-------	----------	-------------

	Volume	500 L	Mass	270 kg	Scale

Drawn	Teet Toming	Name RTB184
Checked		
Approved		

	Sheet	Date
	1 of 1	25.06.2015

Recommended machine weight <12 t