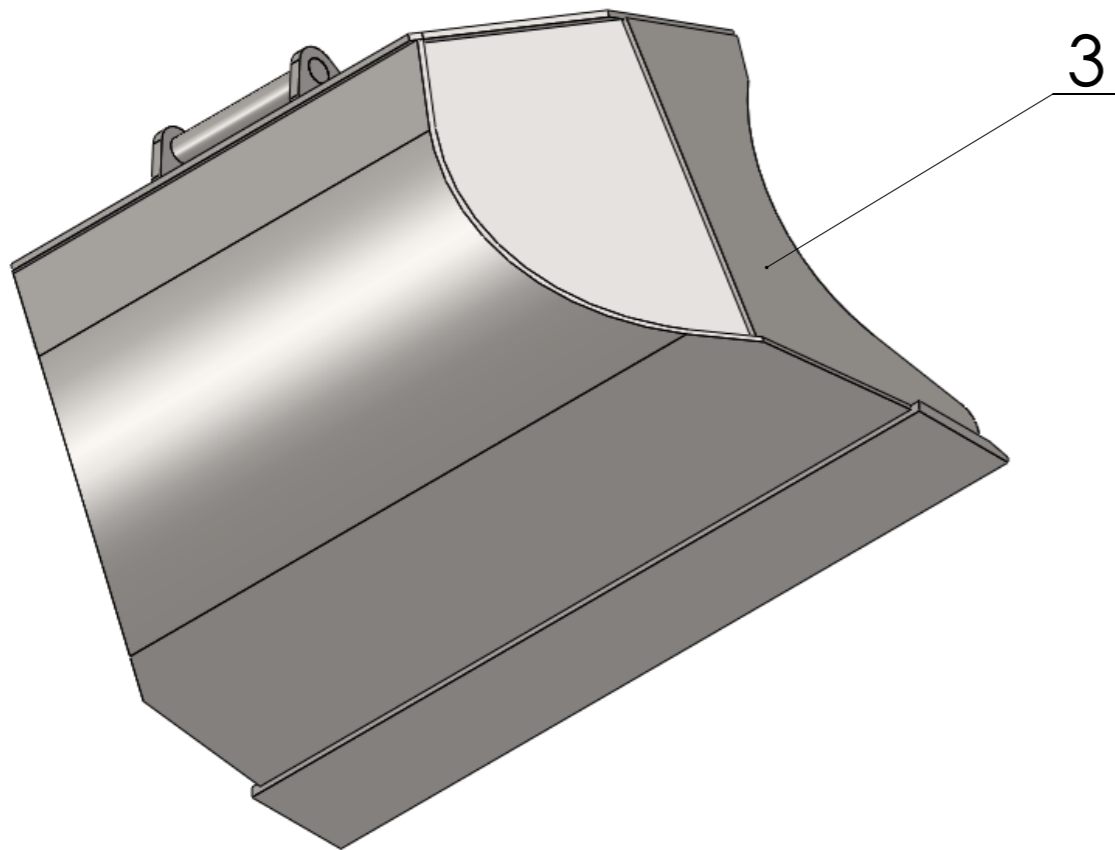
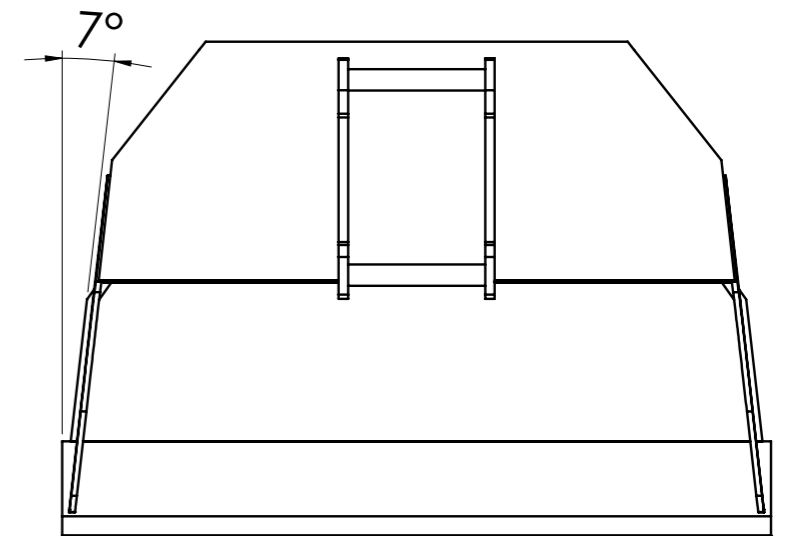
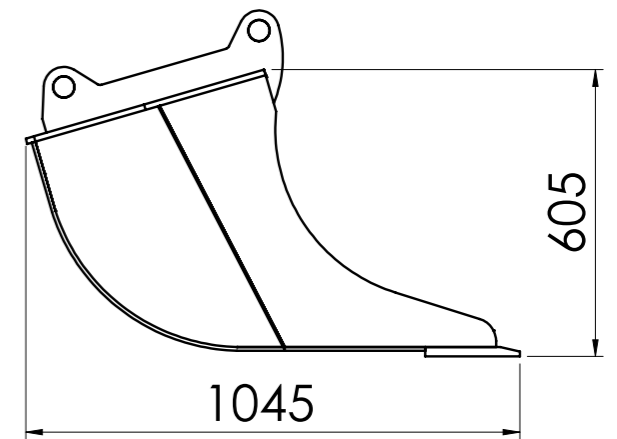
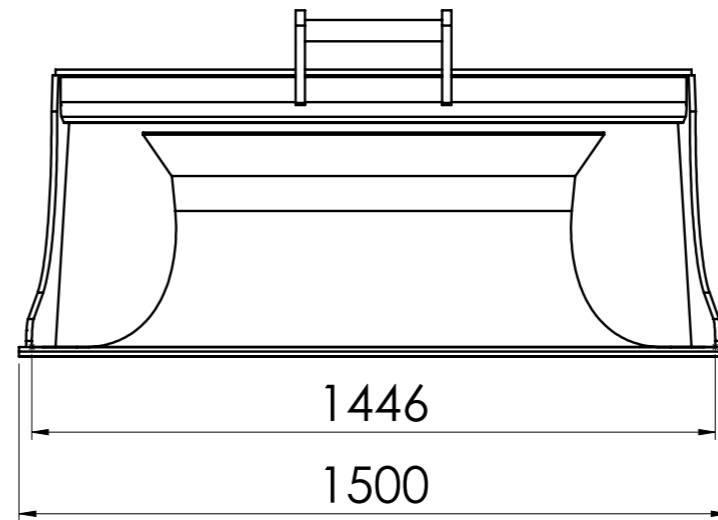


1



3



3	Side member	HB 400	12 mm
2	Bottom plate	HB 400	8 mm
1	Front edge	HB 500	20x200x1500 mm
NO.	TITLE	MATERIAL	DESCRIPTION

	Volume	420 L	Mass	275 kg	Scale

Drawn	Teet Toming	Name
Checked		
Approved		
		RTB192

	Sheet	Date
	1 of 1	13.01.2016