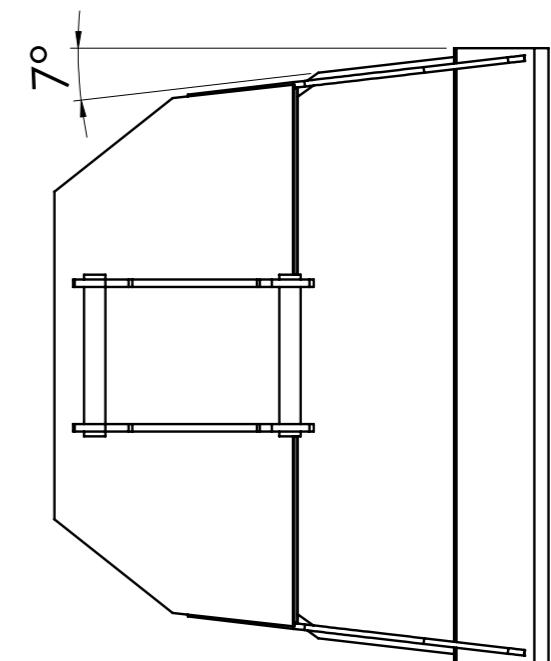
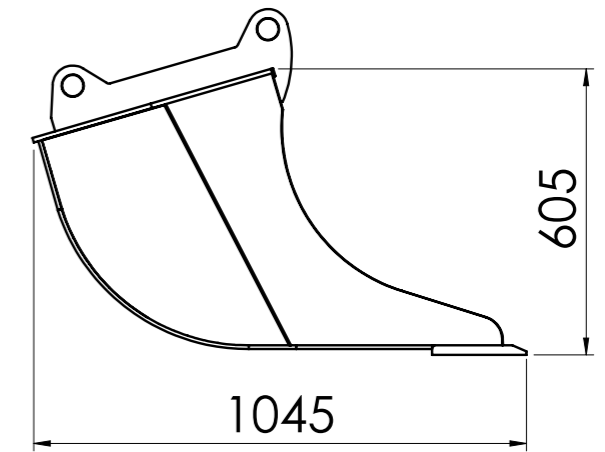
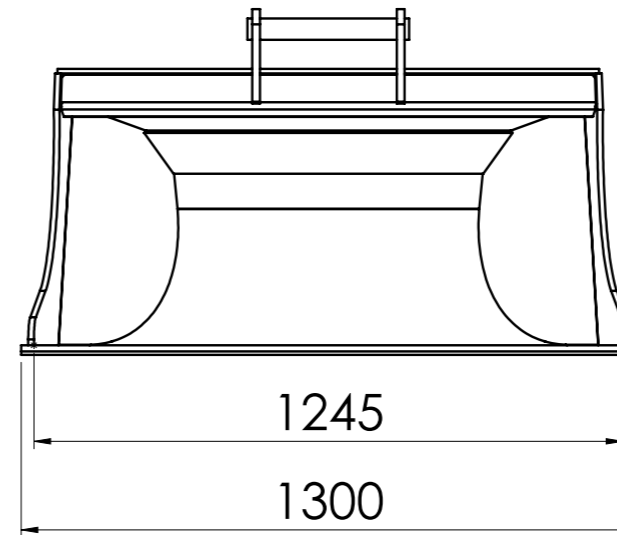
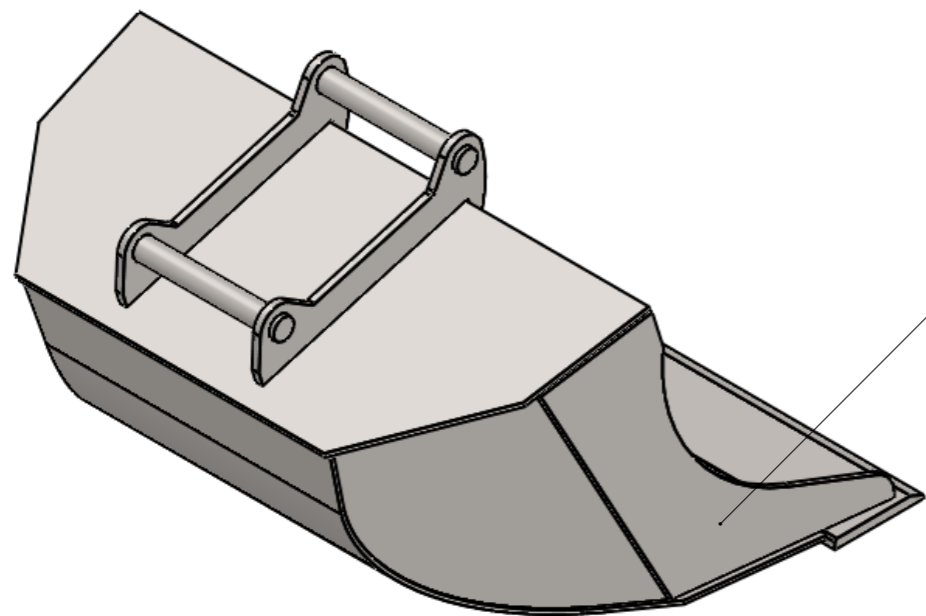


1

2

3



3	Side member	HB 400	12 mm
2	Bottom plate	HB 400	8 mm
1	Front edge	HB 500	20x200x1300 mm
NO.	TITLE	MATERIAL	DESCRIPTION

	Volume	320 L	Mass	240 kg	Scale

Drawn	Teet Toming	Name RTB194
Checked		
Approved		

	Sheet	Date
	1 of 1	18.06.2015

Recommended machine weight <7 t