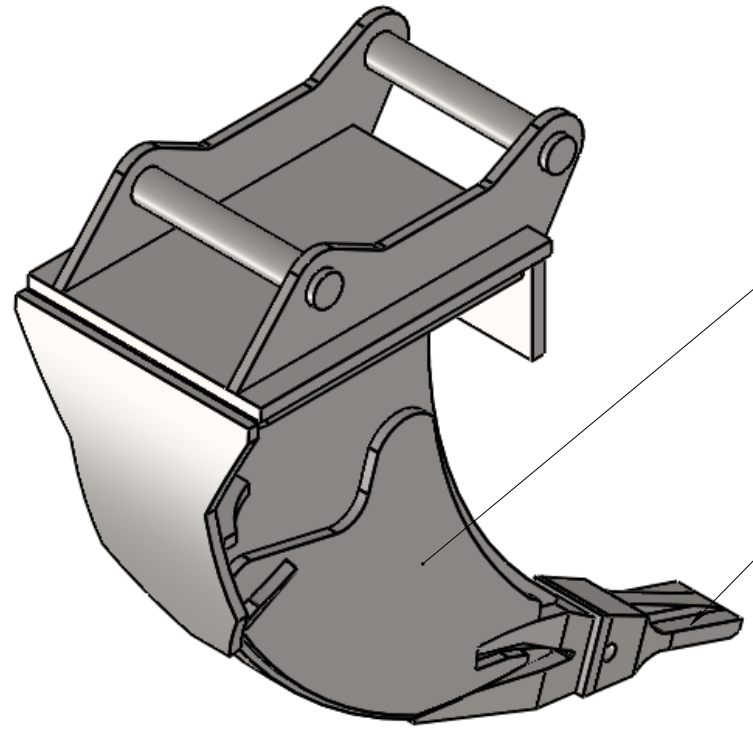
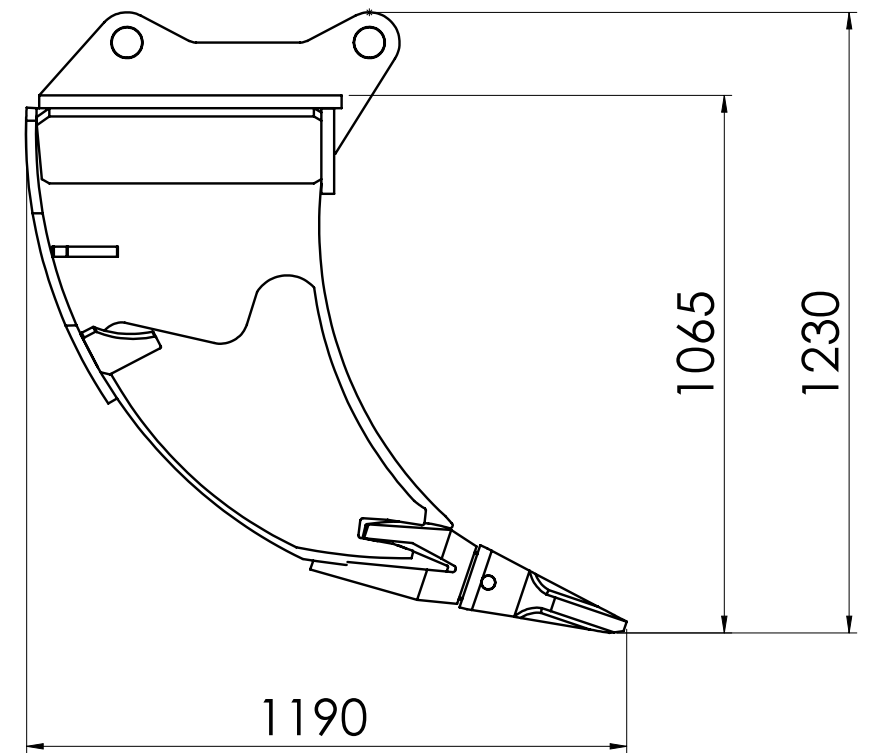
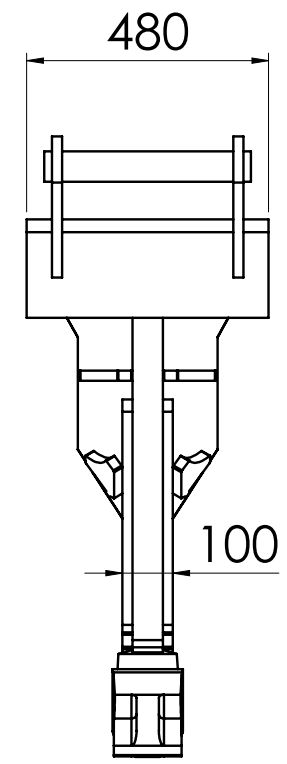


1



2

3

3	Adapter	-	J450
2	Side member	HB 400	20 mm
1	Hook	S355	60 mm
NO.	TITLE	MATERIAL	DESCRIPTION

	Volume - L	Mass 500 kg	Scale
--	------------	-------------	-------

Drawn	Teet Toming	Name	
Checked		Name	HO704
Approved			

	Sheet	Date
	1 of 1	28.10.2015