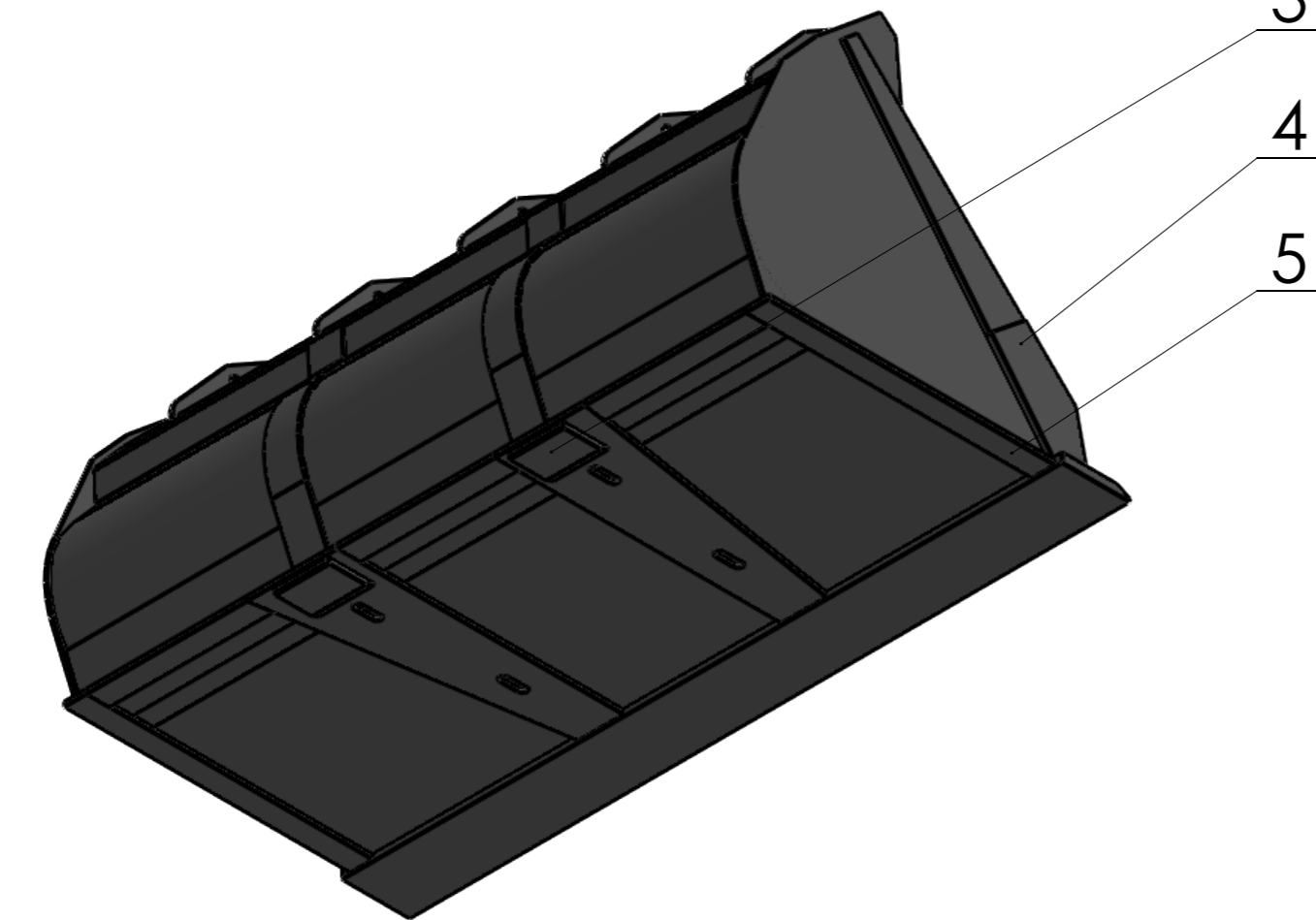


1

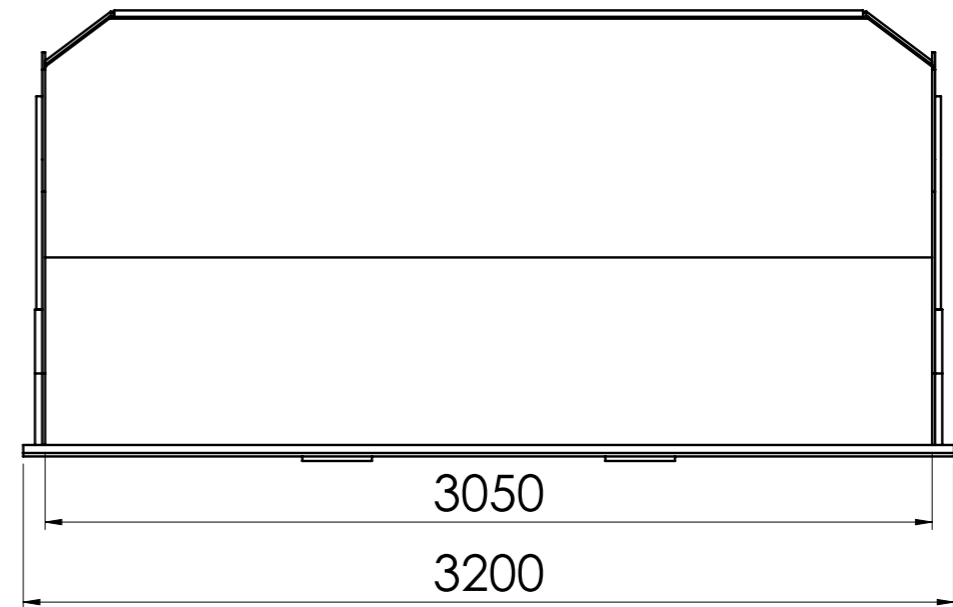
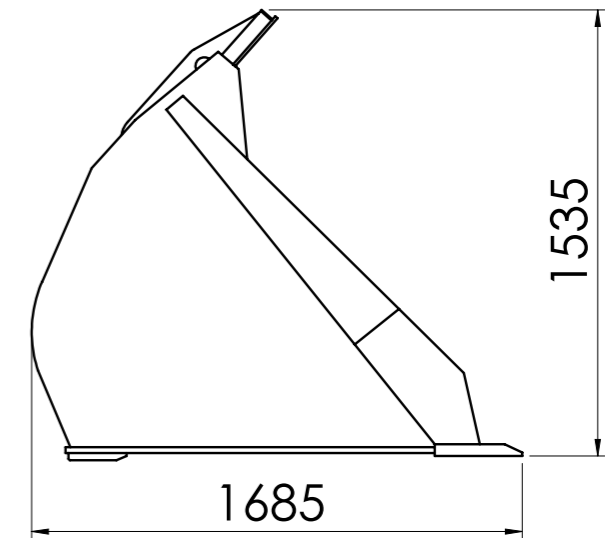
2



3

4

5



5	Bottom bar	HB 500	20x100 mm
4	Side member	HB 400	25 mm
3	Back edge	HB 500	25x200x240 mm
2	Bottom plate	HB 400	10 mm
1	Front edge	HB 500	40x300x3200 mm

NO.	TITLE	MATERIAL	DESCRIPTION
-----	-------	----------	-------------

	Volume	5000 L	Mass	1800 kg	Scale
--	--------	--------	------	---------	-------

Drawn	Teet Toming	Name
Checked		
Approved		
		GRB 461

	Sheet	Date
	1 of 1	6.04.2016