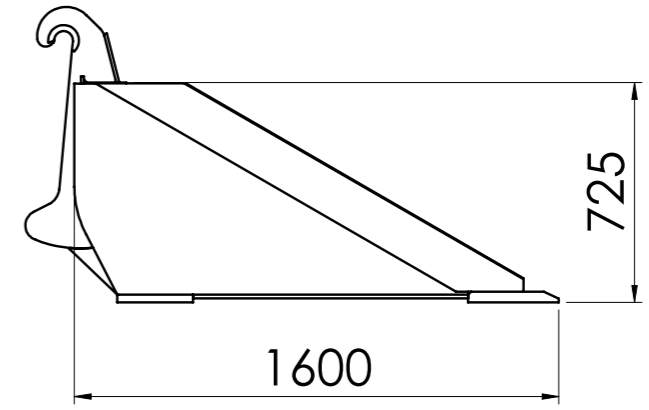
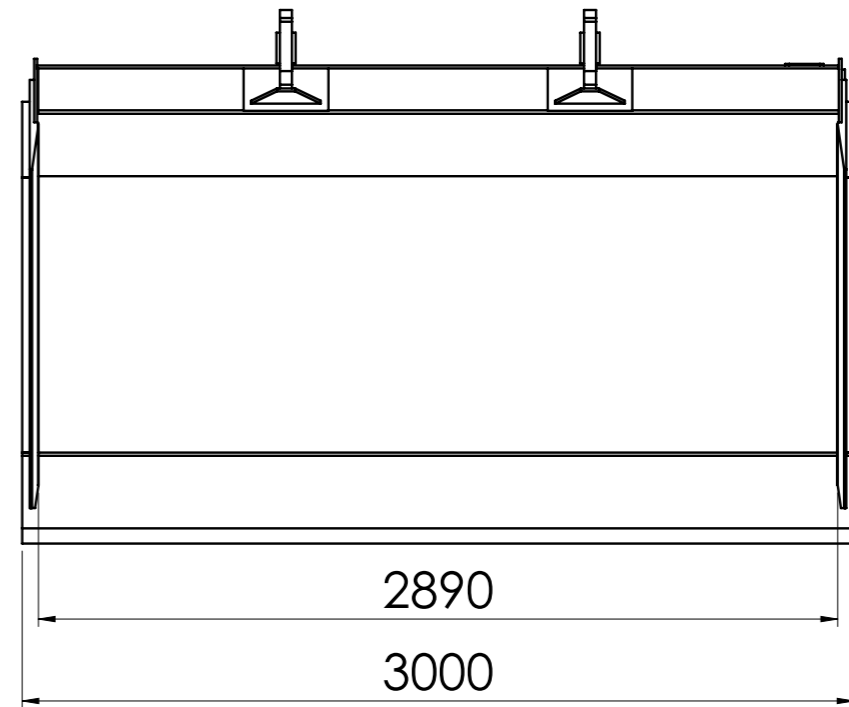


1



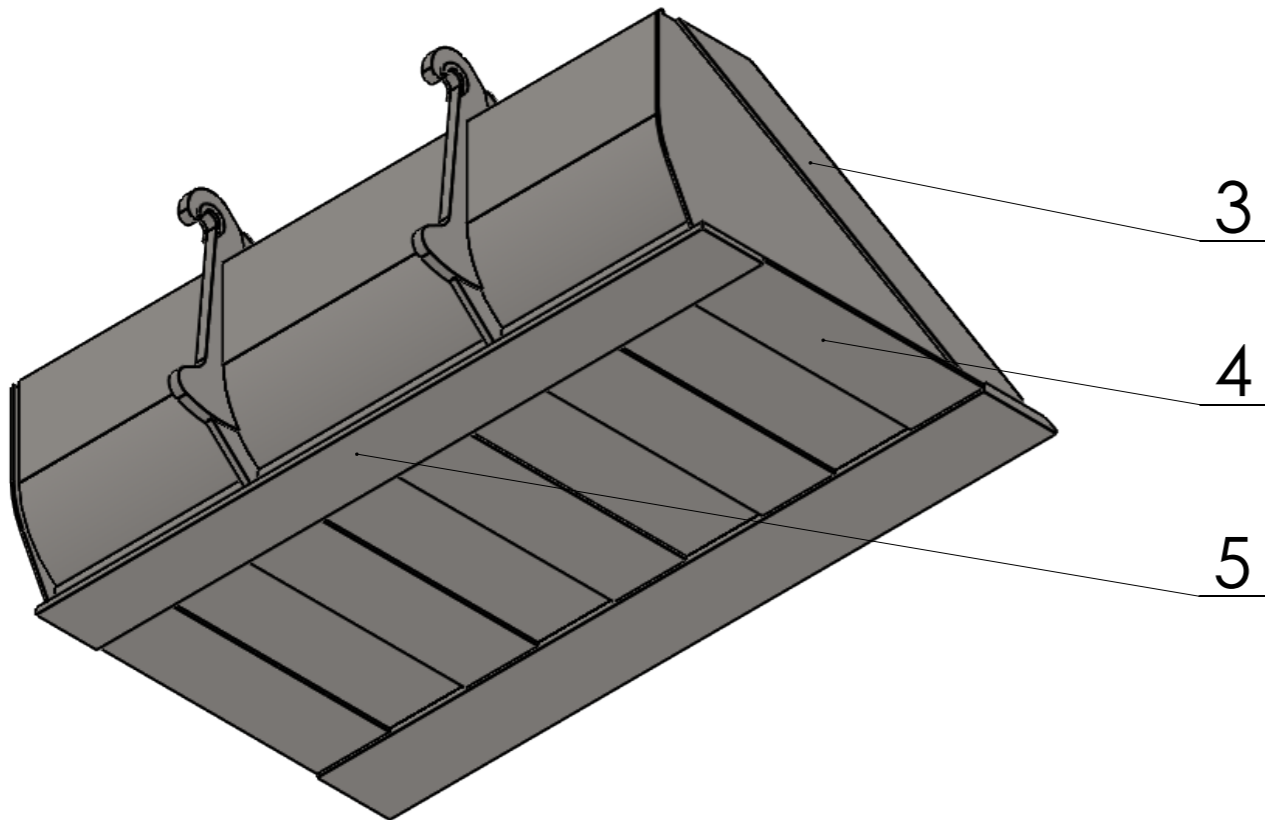
1600

725



2890

3000



3

4

5

5	Back edge	HB 400	25 mm
4	Bottom bar	HB 400	12x300 mm
3	Side member	HB 500	Arrow profile
2	Bottom plate	HB 400	10 mm
1	Front edge	HB 500	35x300x3000 mm

NO.	TITLE	MATERIAL	DESCRIPTION
-----	-------	----------	-------------

	Volume	2000 L	Mass	1250 kg	Scale
--	--------	--------	------	---------	-------

Drawn	Teet Toming	Name	
Checked		FPB489/3000	
Approved			

	Sheet	Date
	1 of 1	14.03.2016