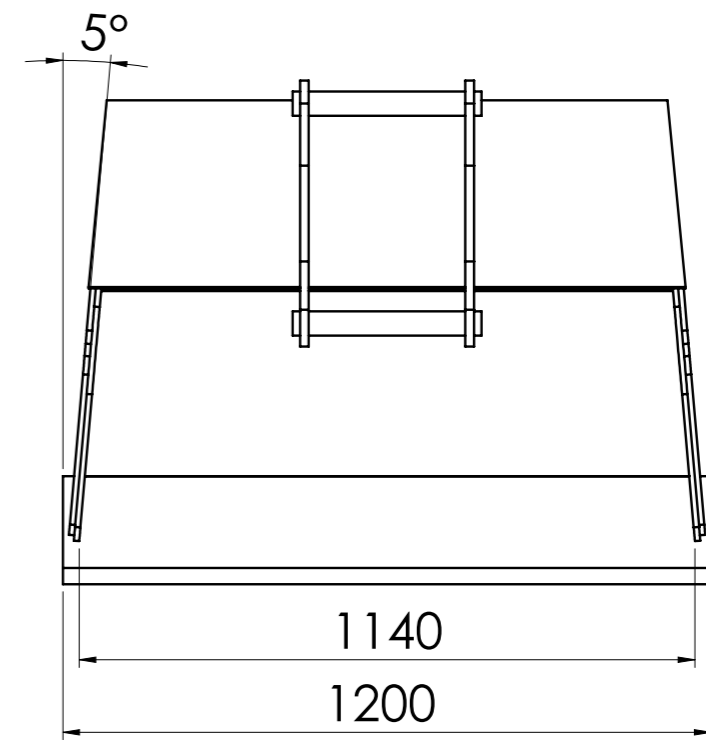
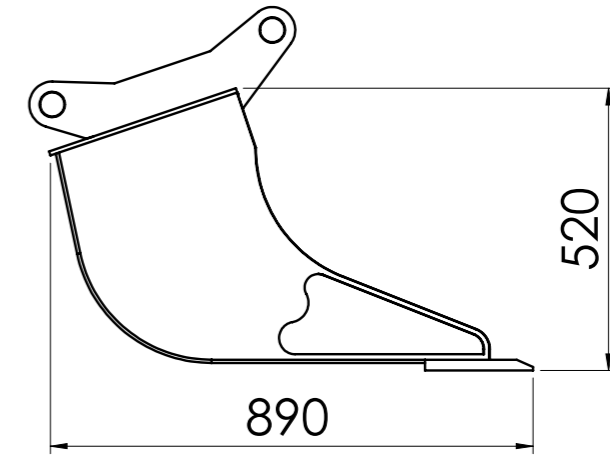
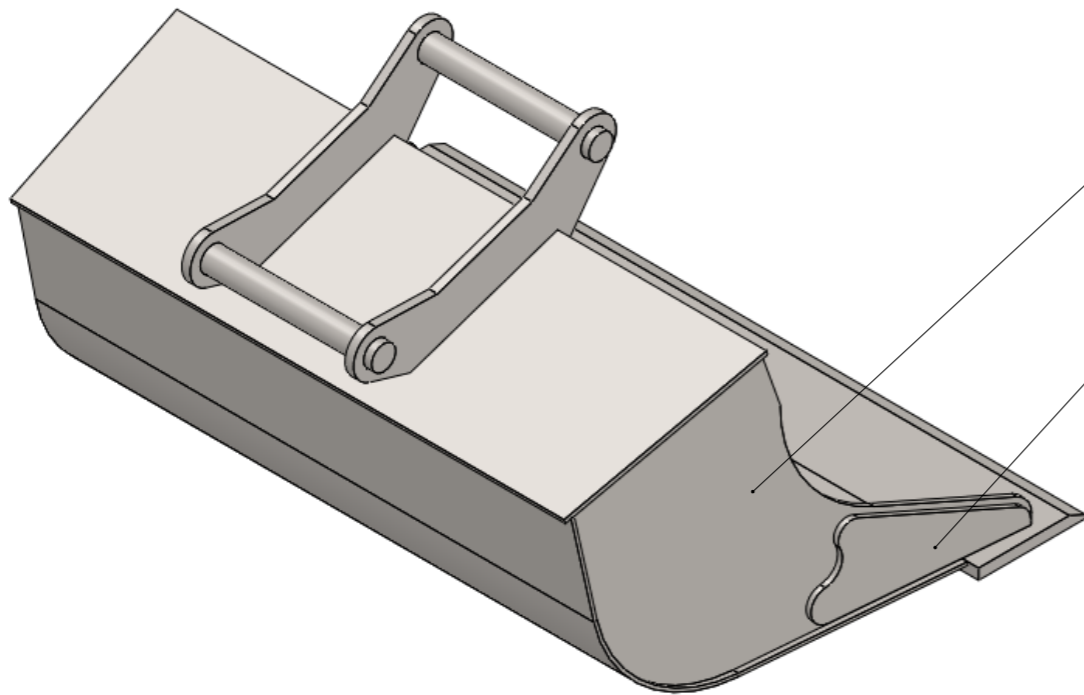


1

2

3

4



4	Side member	HB 400	10 mm
3	Side	HB 400	10 mm
2	Bottom plate	HB 400	6 mm
1	Front edge	HB 500	20x200x1200 mm
NO.	TITLE	MATERIAL	DESCRIPTION

	Volume	280 L	Mass	175 kg	Scale
	Drawn	Teet Toming		Name	

Checked			SPB-137		
Approved					

	Sheet	Date
	1 of 1	9.10.2015