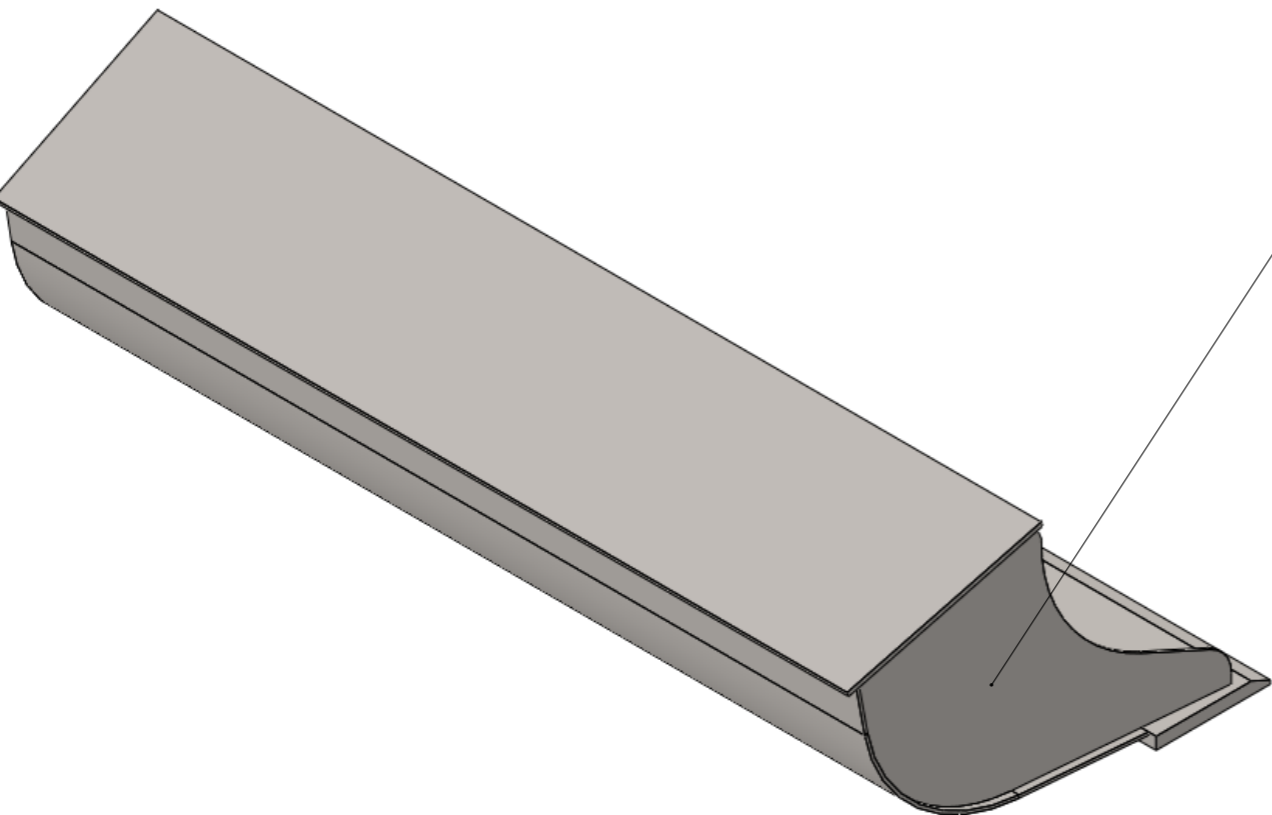
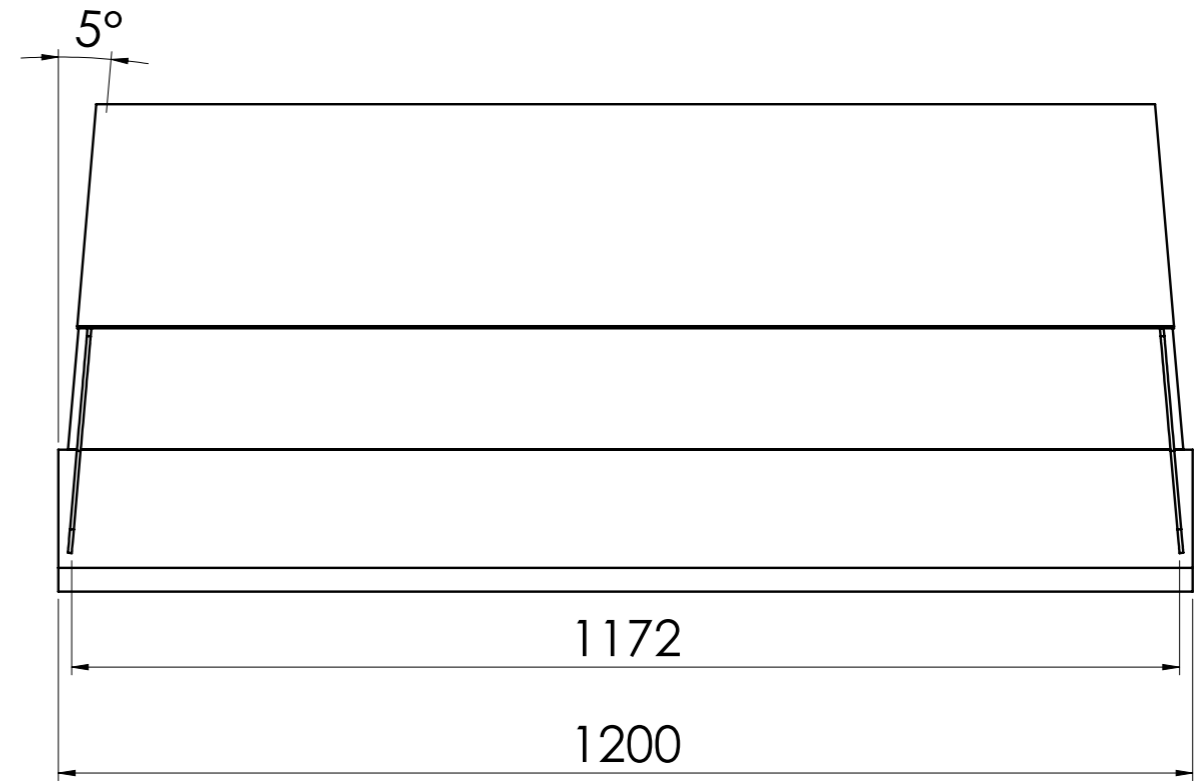
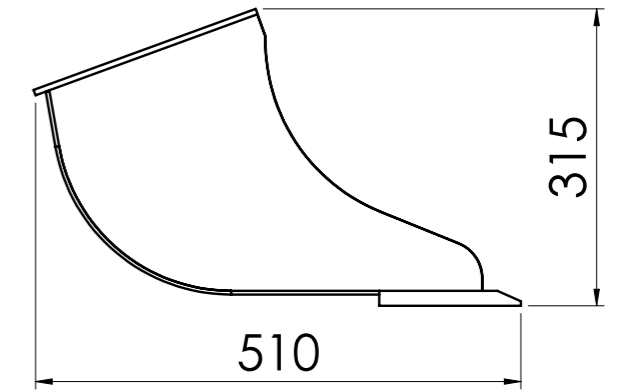


1

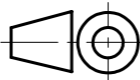


2


3



3	Side member	HB 400	6 mm
2	Bottom plate	HB 400	4 mm
1	Front edge	HB 500	16x150x1200 mm
NO.	TITLE	MATERIAL	DESCRIPTION

	Volume	90 L	Mass	65 kg	Scale
	Drawn	Teet Toming		Name	

Checked		Name	
Approved		SPB138	

	Sheet	Date
	1 of 1	30.09.2015