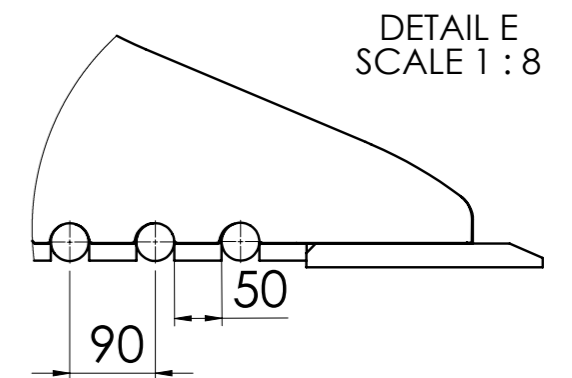
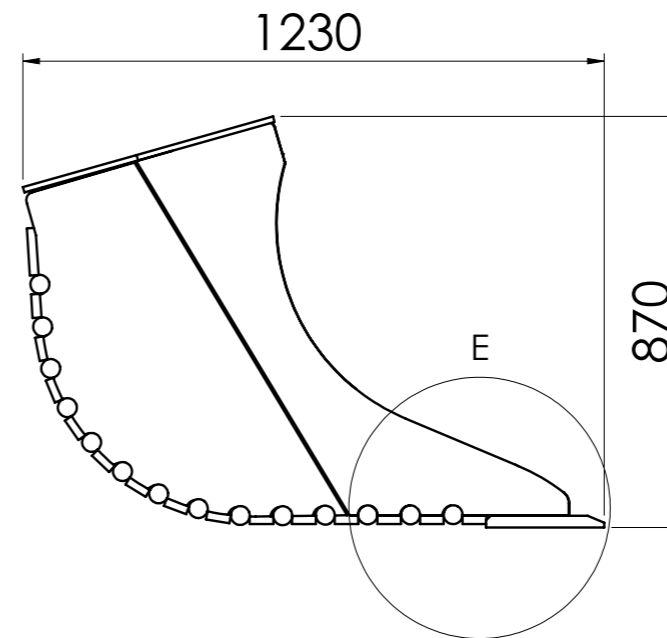
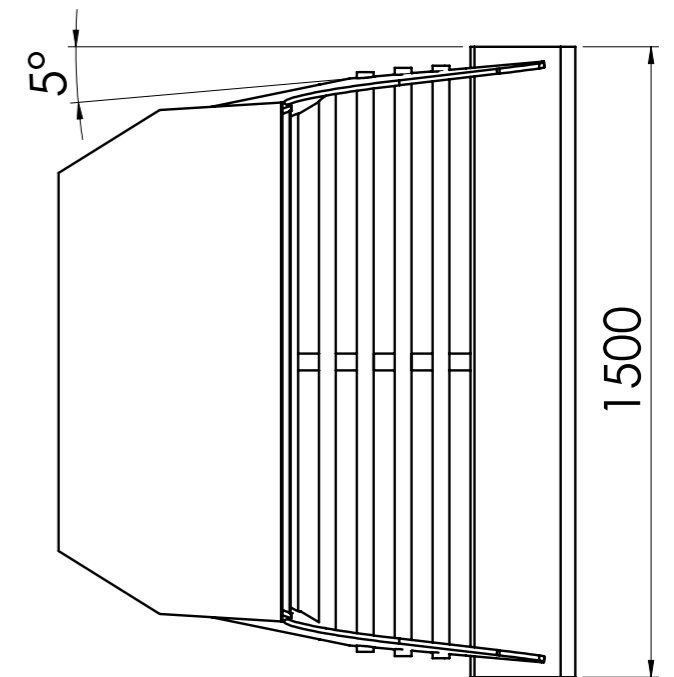
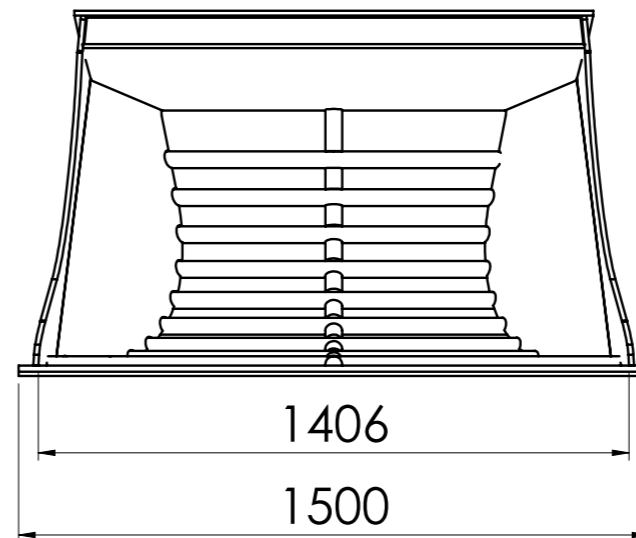
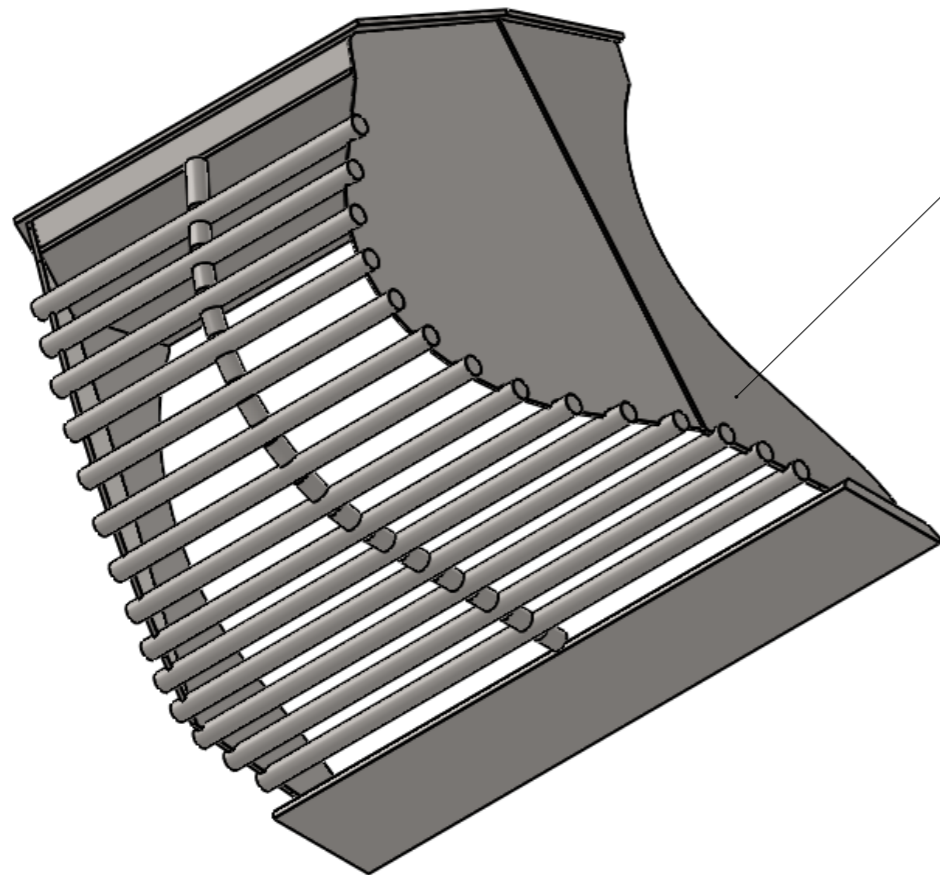


1

2

3



3	Bottom bar	S355	∅ 40 mm
2	Side member	HB 400	16 mm
1	Front edge	HB 500	25x250x1500 mm
NO.	TITLE	MATERIAL	DESCRIPTION

	Volume 700 L	Mass 470 kg	Scale
--	--------------	-------------	-------

Drawn	Teet Toming	Name	
Checked		RTB195-S	
Approved			

	Sheet	Date
	1 of 1	4.01.2016