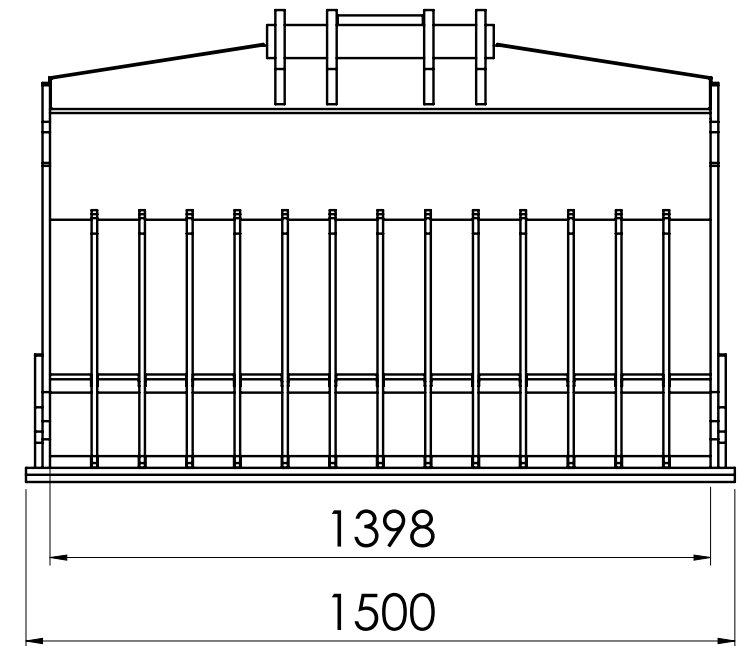
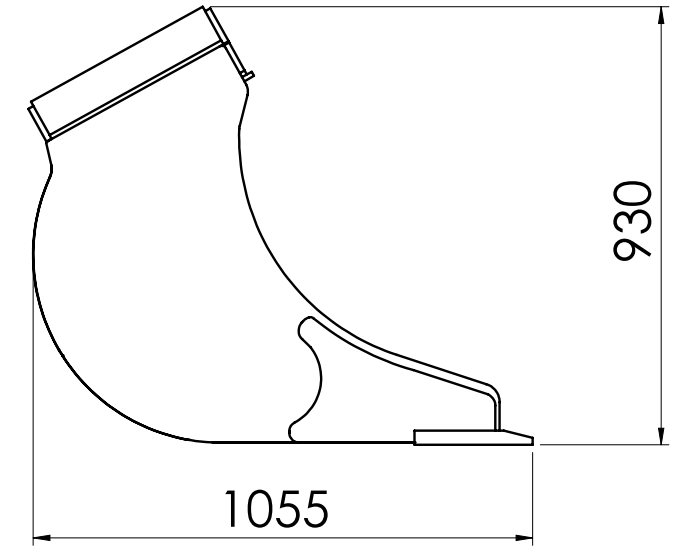
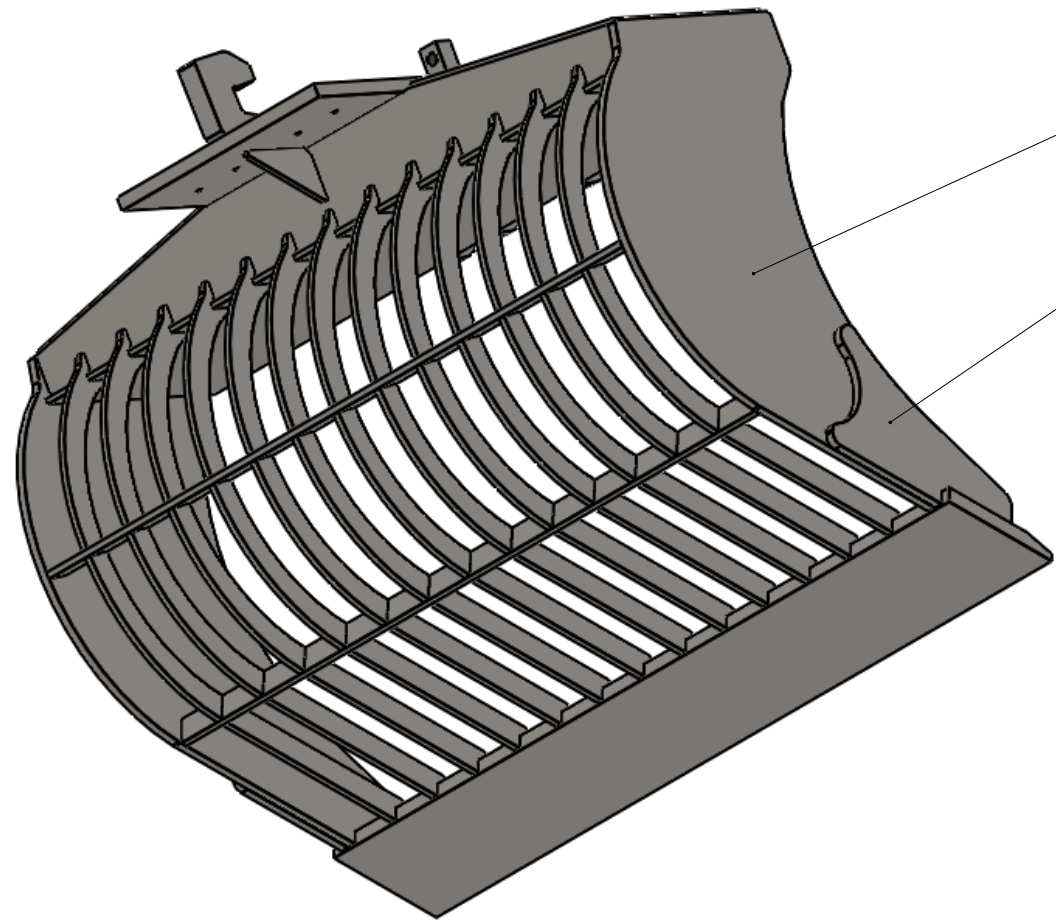


1

2

3

4



4	Side member	HB 400	16 mm
3	Side	HB 400	16 mm
2	Bottom bar	HB 400	12 mm
1	Front edge	HB 500	30x250x1500 mm

NO.	TITLE	MATERIAL	DESCRIPTION
-----	-------	----------	-------------

	Volume	700 L	Mass	600 kg	Scale
--	--------	-------	------	--------	-------

Drawn	Teet Toming	Name
Checked		
Approved		

SPB149S

	Sheet	Date
	1 of 1	15.01.2016