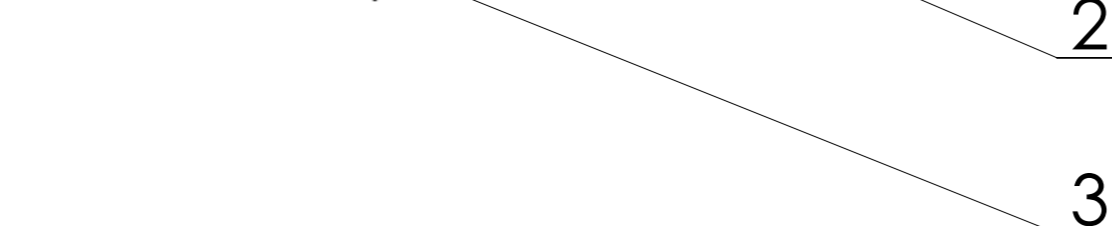
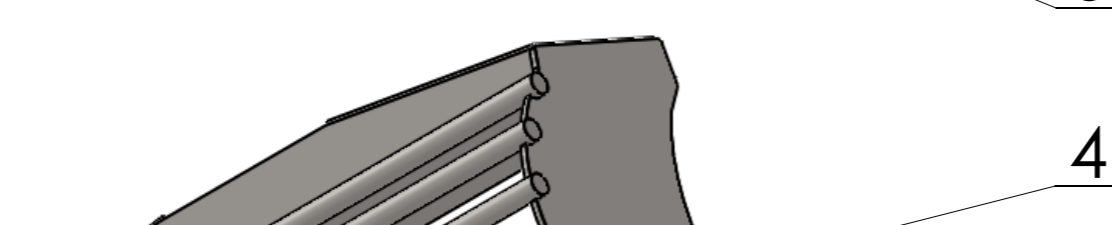


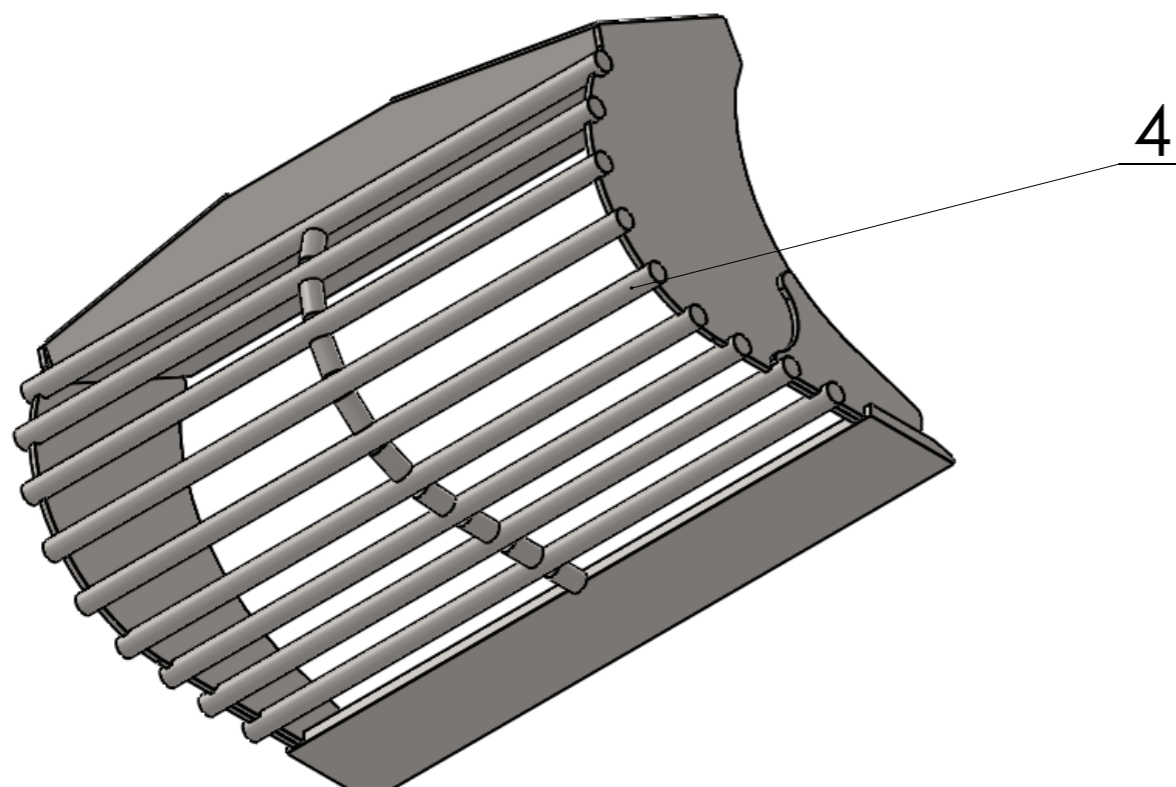
1



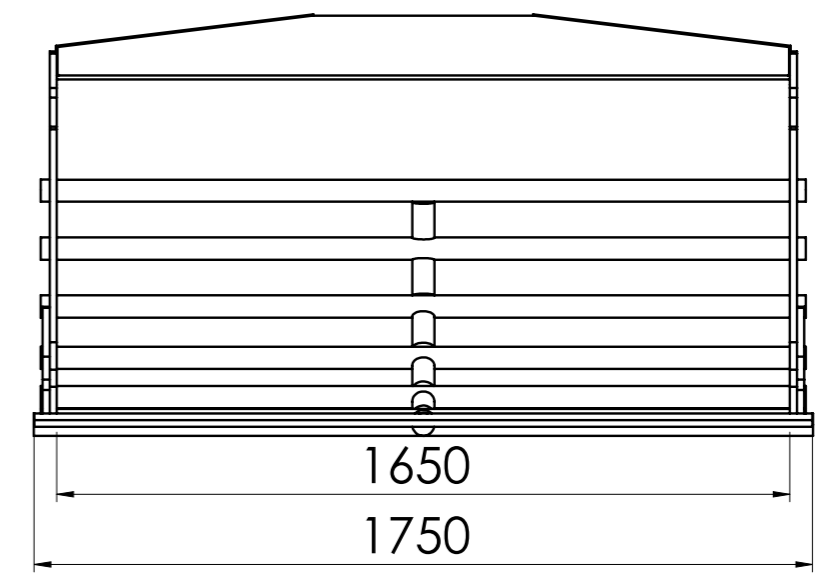
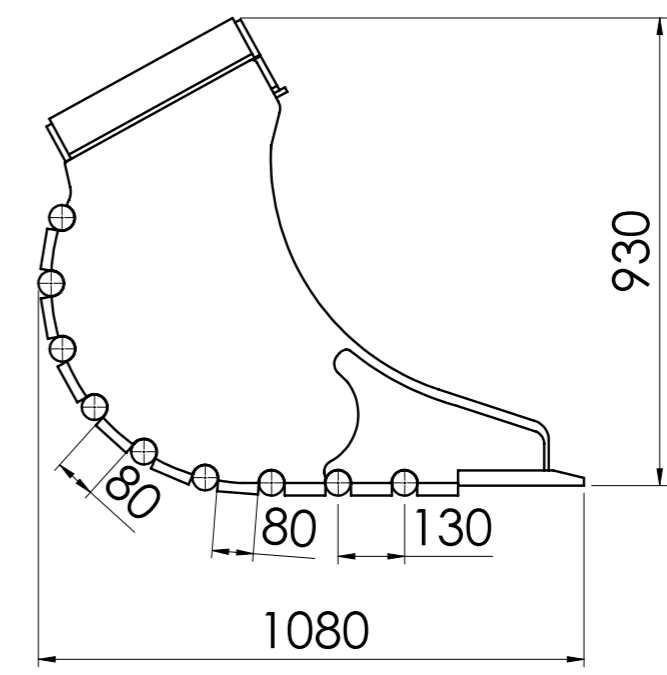
2



3



4



4	Bottom bar	S 335	Ø 50 mm
3	Side member	HB 400	16 mm
2	Side	HB 400	16 mm
1	Front edge	HB 500	30x250x1750 mm

NO.	TITLE	MATERIAL	DESCRIPTION
-----	-------	----------	-------------

	Volume	900 L	Mass	690 kg	Scale

Drawn	Teet Toming	Name	
Checked		SPB 150SH	
Approved			

	Sheet	Date
	1 of 1	2.09.2015