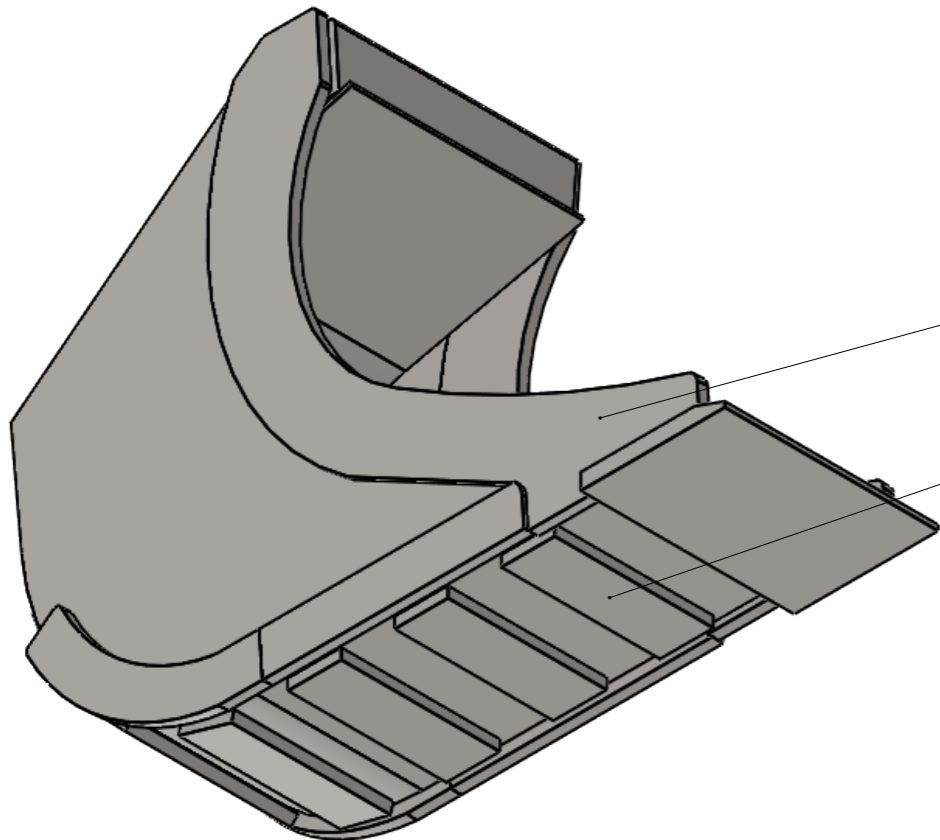


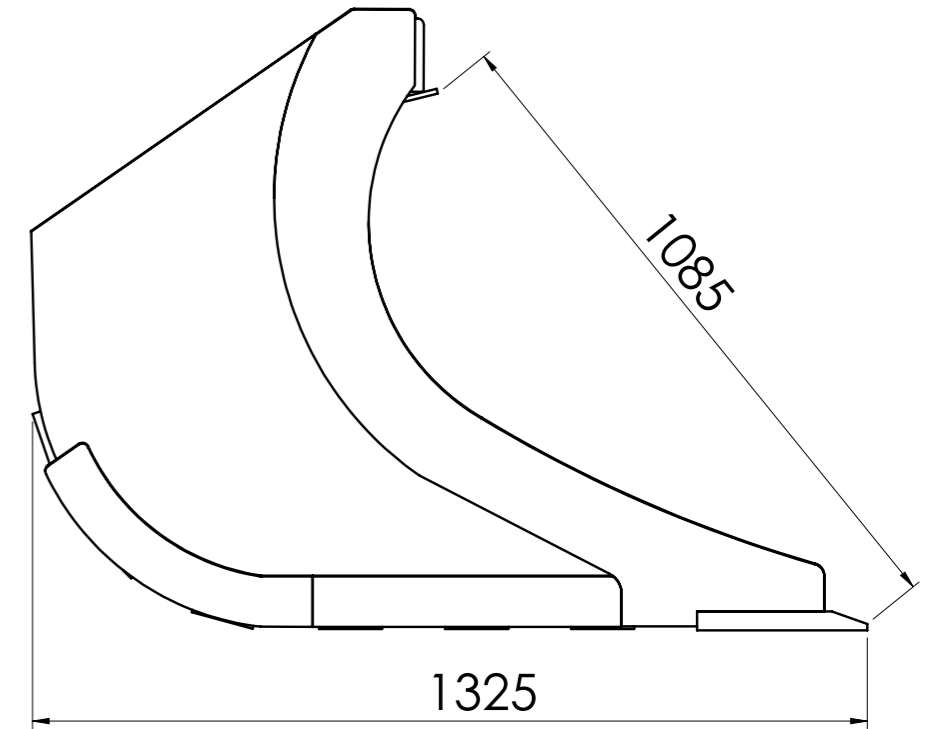
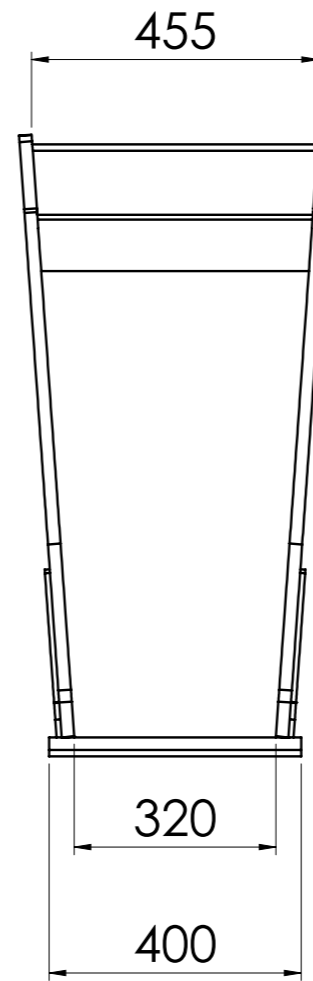
1



2

3

4



4	Bottom bar	HB 500	20x100 mm
3	Side member	HB 400	20 mm
2	Bottom plate	S355	8 mm
1	Front edge	HB 500	30x250x400 mm

NO.	TITLE	MATERIAL	DESCRIPTION
-----	-------	----------	-------------

	Volume	240 L	Mass	350 kg	Scale
--	--------	-------	------	--------	-------

Drawn	Teet Toming	Name
Checked		
Approved		
		CAB-819

	Sheet	Date
	1 of 1	30.03.2016