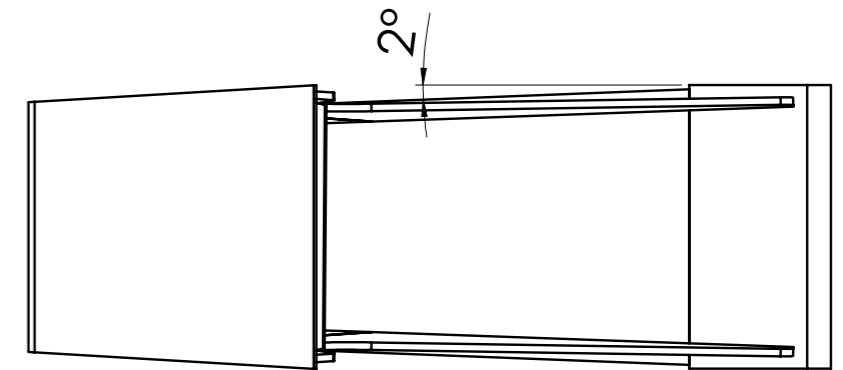
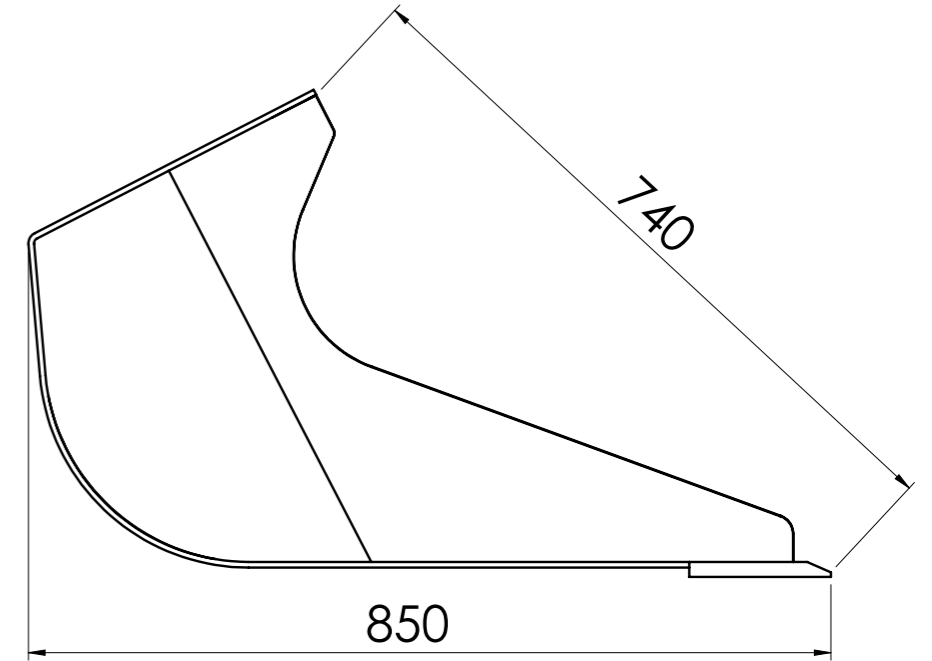
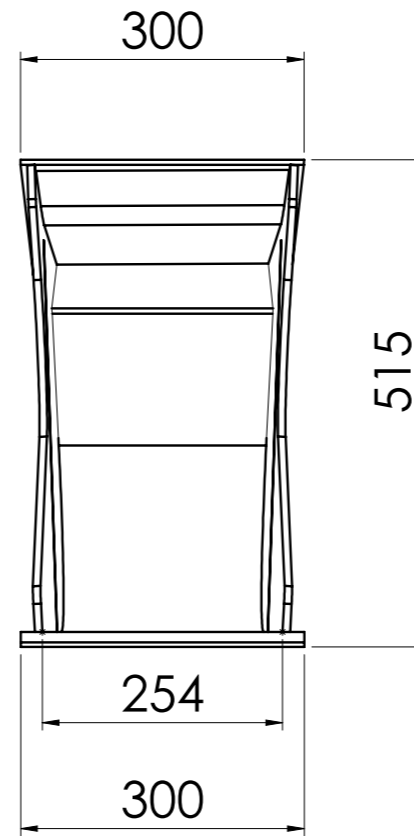
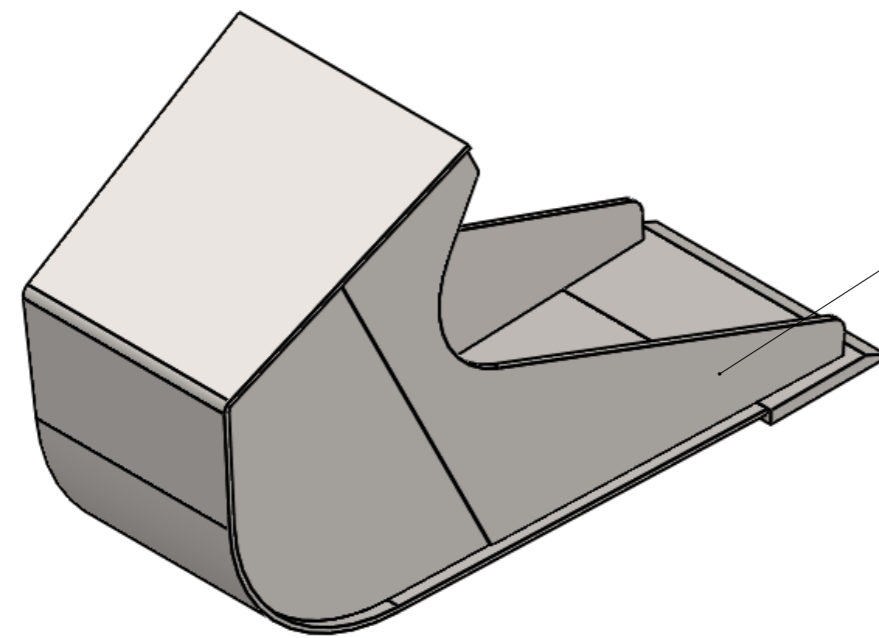


1

2

3



3	Side member	HB 400	8 mm
2	Bottom plate	HB 400	6 mm
1	Front edge	HB 500	16x150x300 mm
NO.	TITLE	MATERIAL	DESCRIPTION

	Volume	65 L	Mass	55 kg	Scale

Drawn	Teet Toming	Name CAB869
Checked		
Approved		

	Sheet	Date
	1 of 1	17.09.2015