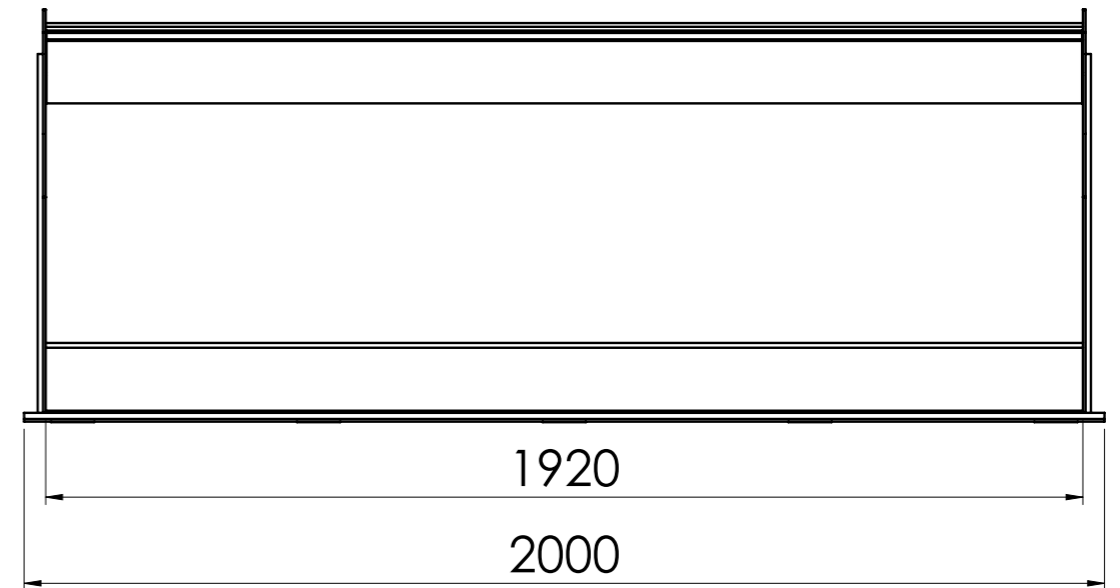
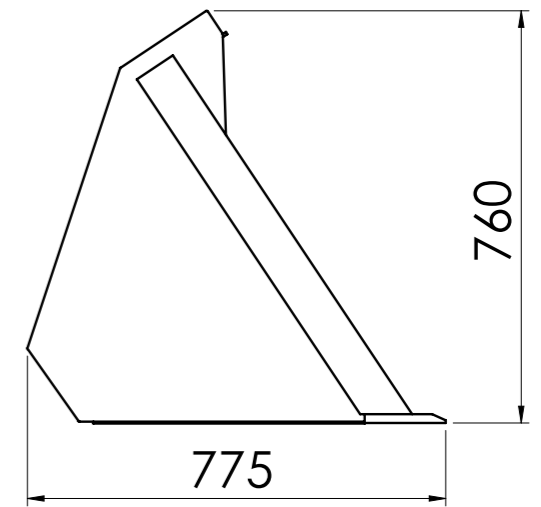
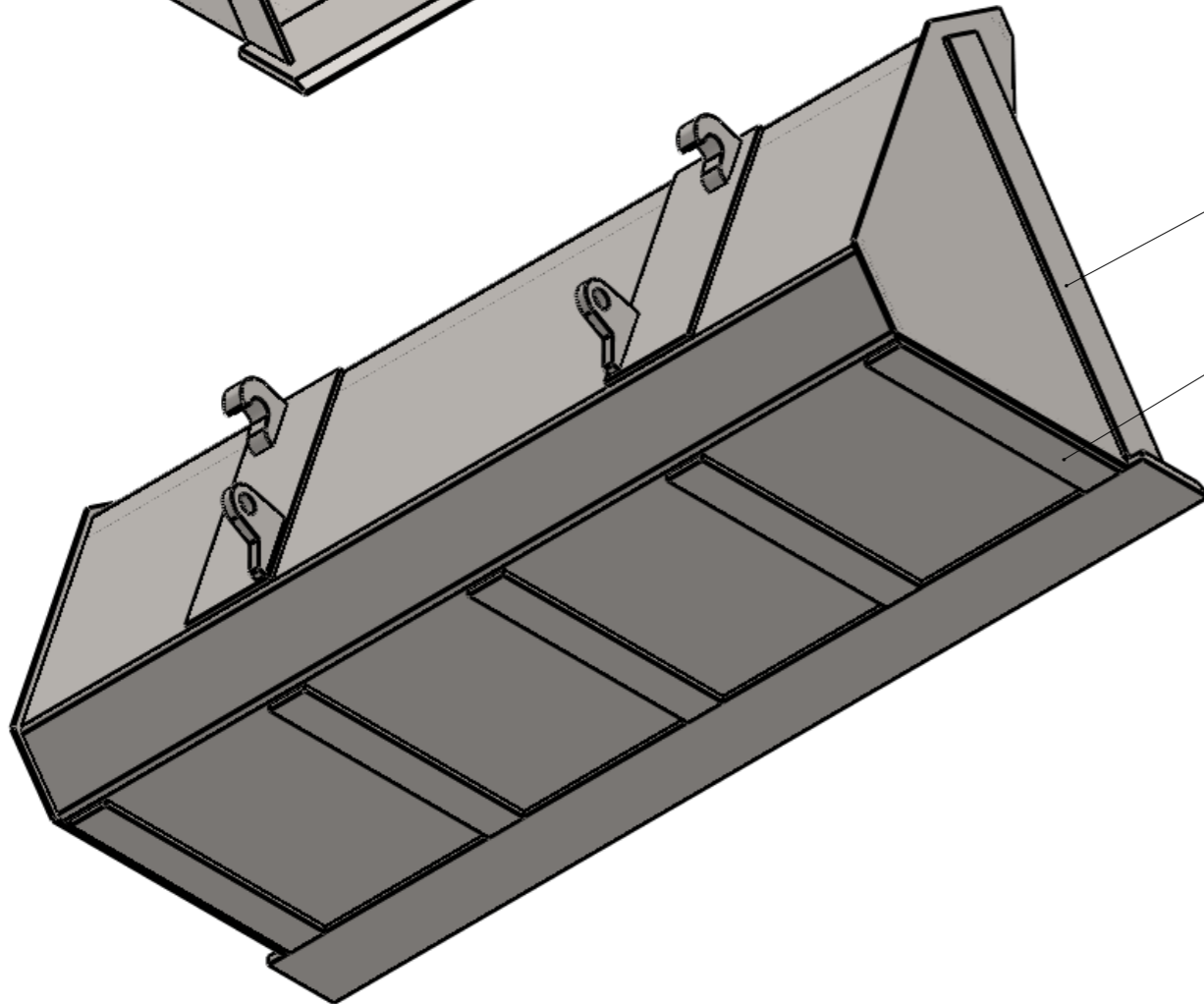


1

2

3

4



| | | | |
|---|--------------|--------|----------------|
| 4 | Bottom bar | S355 | 10x80 mm |
| 3 | Side member | S355 | 10x80 mm |
| 2 | Bottom plate | S355 | 5 mm |
| 1 | Front edge | HB 500 | 16x150x2000 mm |

| NO. | TITLE | MATERIAL | DESCRIPTION |
|-----|-------|----------|-------------|
|-----|-------|----------|-------------|

| | | | | | |
|--|--------|-------|------|--------|-------|
| | Volume | 600 L | Mass | 220 kg | Scale |
| | | | | | |

| | | |
|----------|-------------|--------|
| Drawn | Teet Toming | Name |
| Checked | | |
| Approved | | |
| | | LMB411 |

| | | |
|--|--------|------------|
| | Sheet | Date |
| | 1 of 1 | 11.01.2016 |