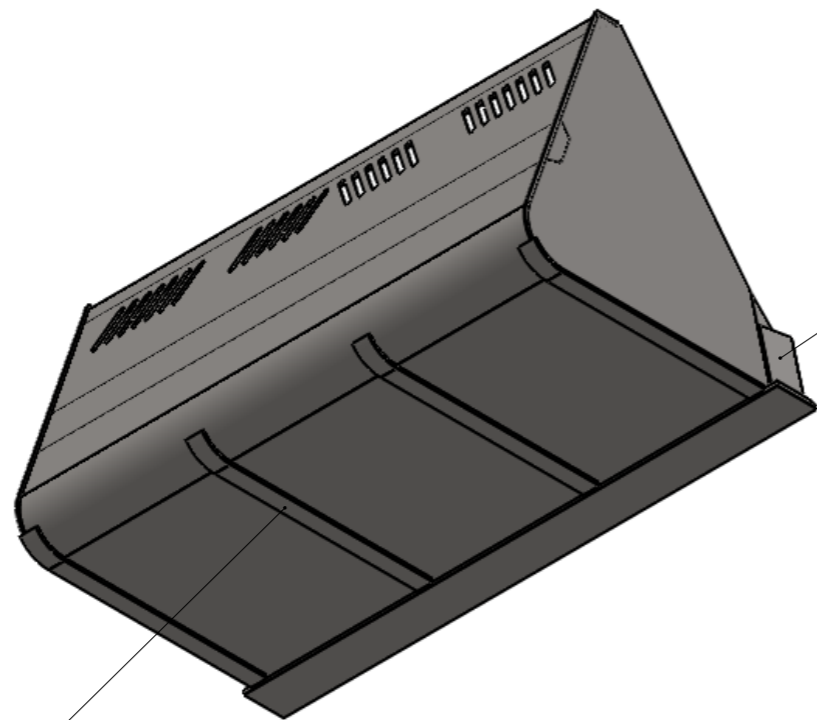


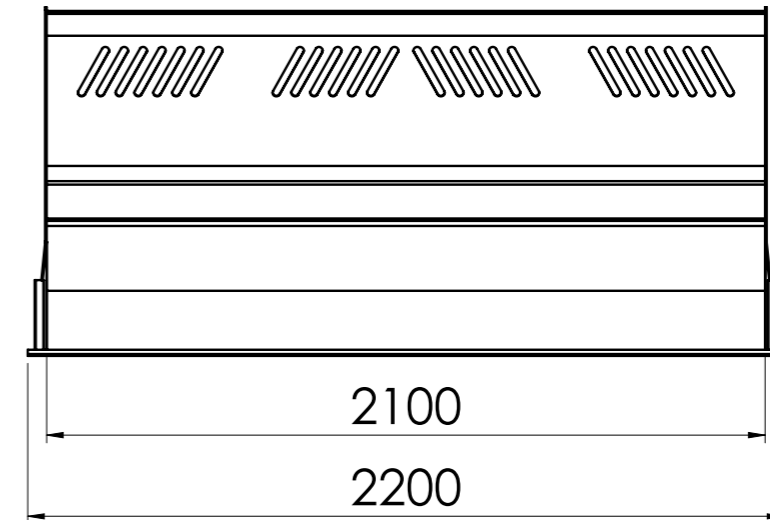
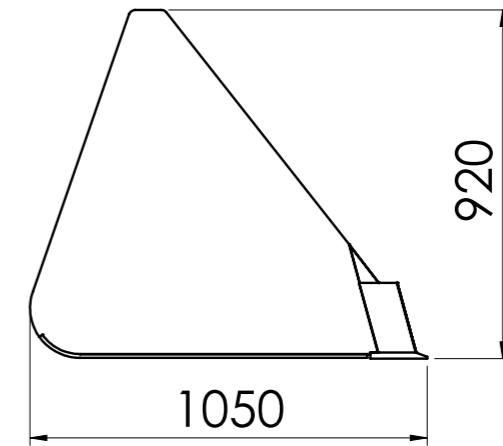
2

1

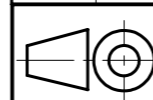


4

3



4	Bottom bar	S355	10 mm
3	Side member	HB 500	101x21/11x610 mm
2	Bottom plate	S355	4 mm
1	Front edge	HB 500	16x150x2200
NO.	TITLE	MATERIAL	DESCRIPTION



Volume 1320 L

Mass 245 kg

Scale

Drawn Teet Toming

Name

Checked

LMB490/2200

Approved

PTC

Sheet
1 of 1

Date
27.04.2015