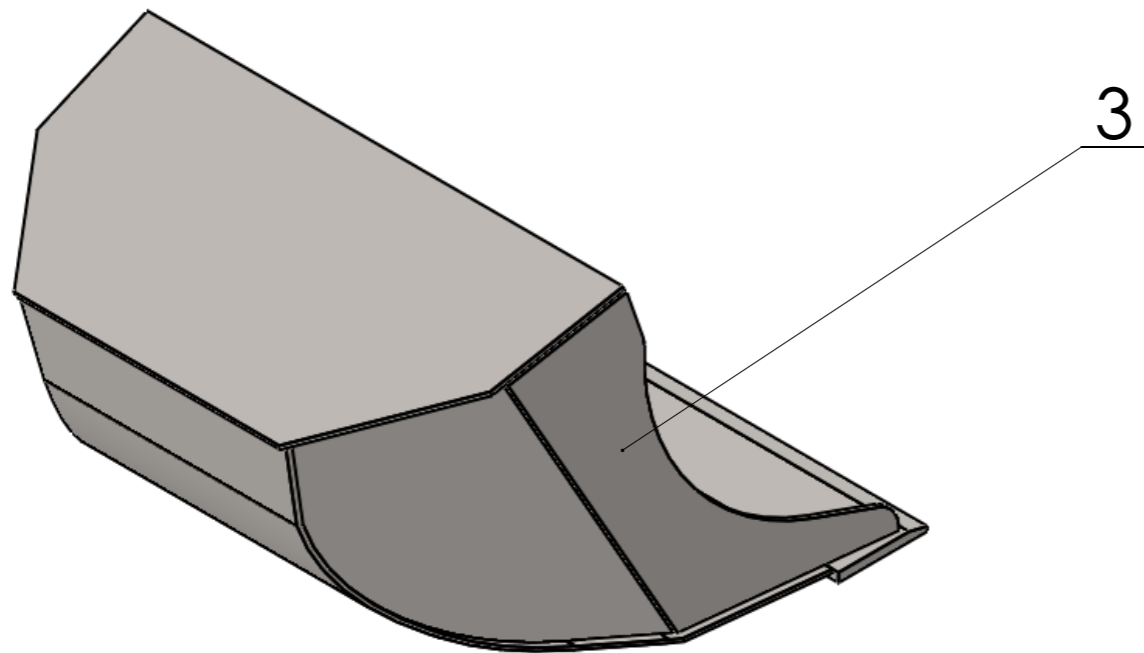
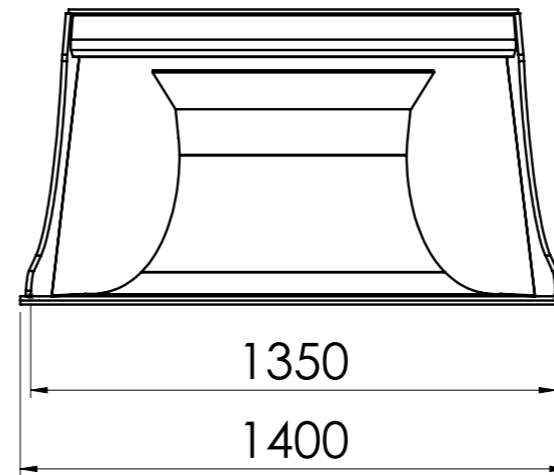


1



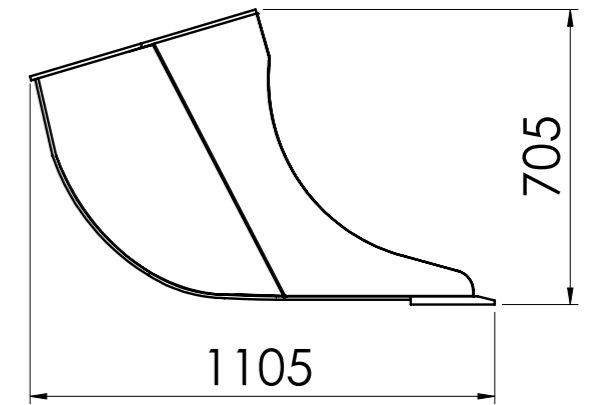
2

3



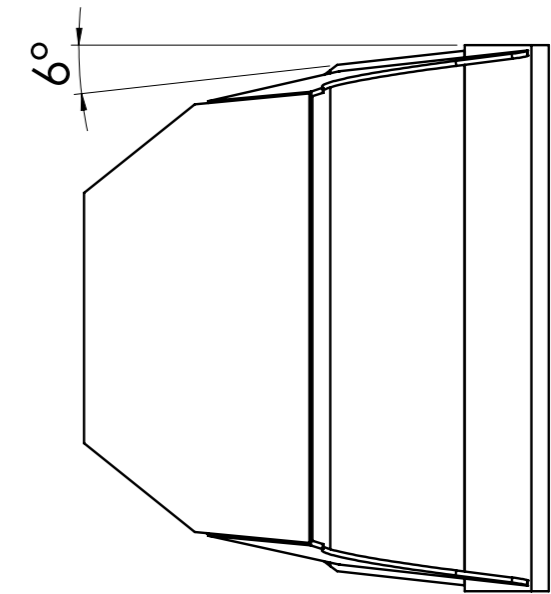
1350

1400



1105

705



6°

3	Side member	HB 400	12 mm
2	Bottom plate	HB 400	8 mm
1	Front edge	HB 500	20x200x1400 mm

NO.	TITLE	MATERIAL	DESCRIPTION
-----	-------	----------	-------------

	Volume	450 L	Mass	260 kg	Scale

Drawn	Teet Toming	Name
Checked		
Approved		
		RTB183

	Sheet	Date
	1 of 1	25.06.2015

Recommended machine weight <10 t