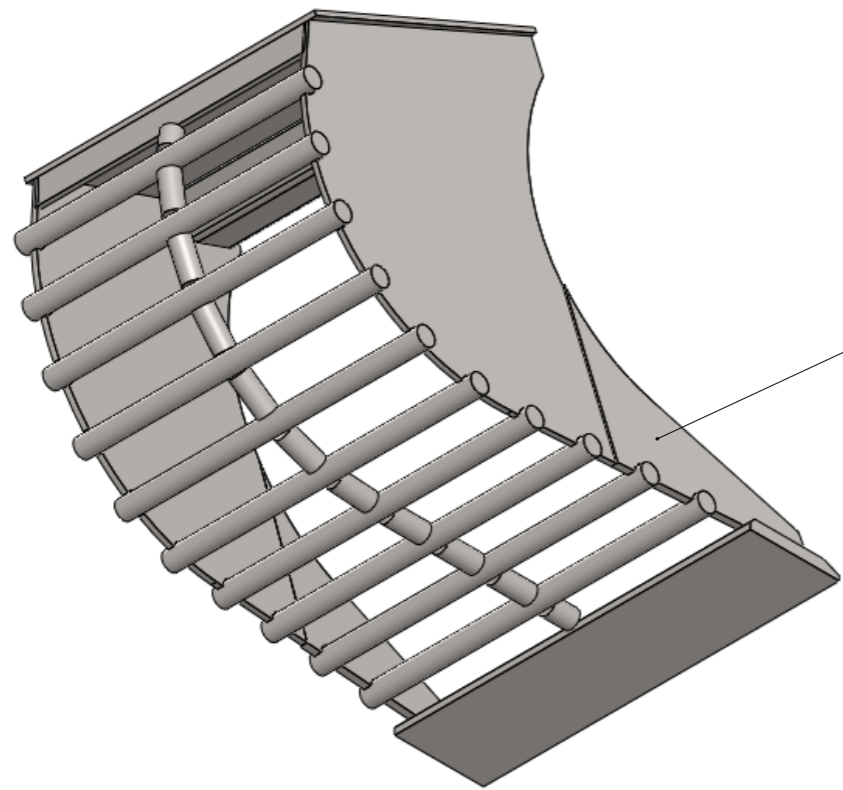
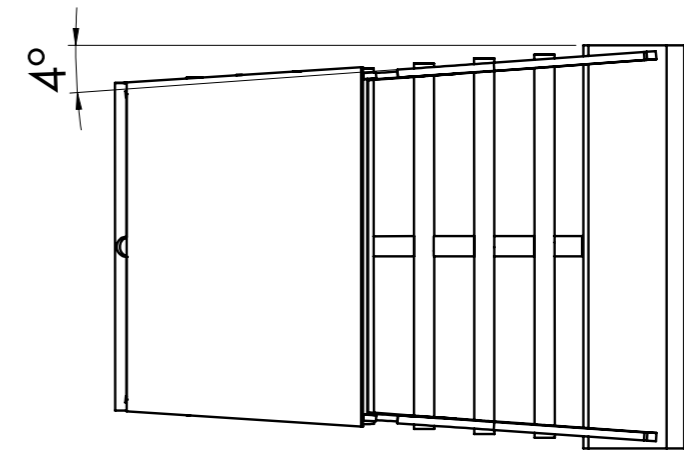
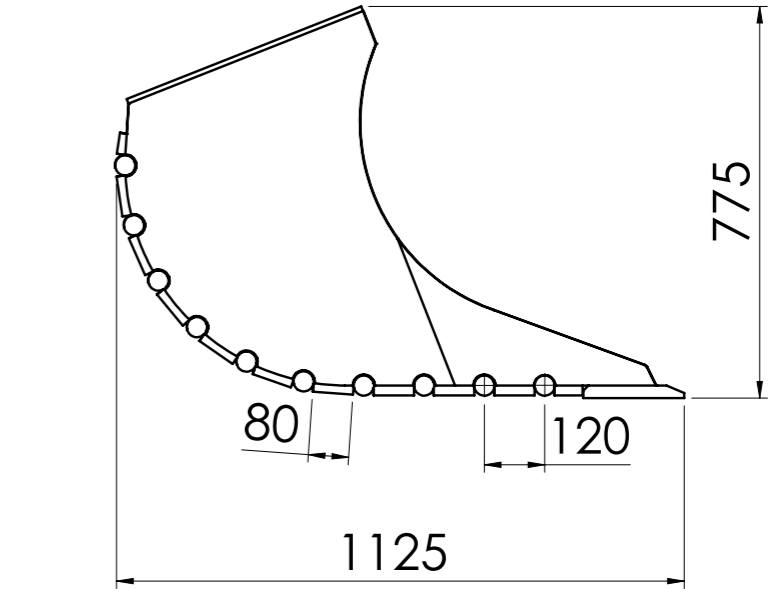
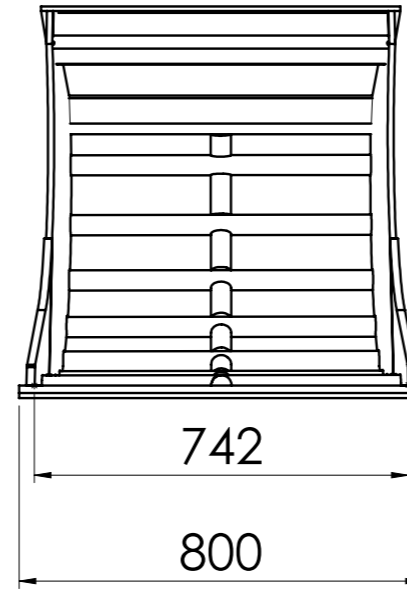


1



2

3



3	Side member	HB 400	16 mm
2	Bottom bar	S355	∅ 40
1	Front edge	HB 500	25x200x800 mm
NO.	TITLE	MATERIAL	DESCRIPTION

	Volume	400 L	Mass	240 kg	Scale
--	--------	-------	------	--------	-------

Drawn	Teet Toming	Name	
Checked		DGB215S	
Approved			

	Sheet	Date
	1 of 1	16.09.2015