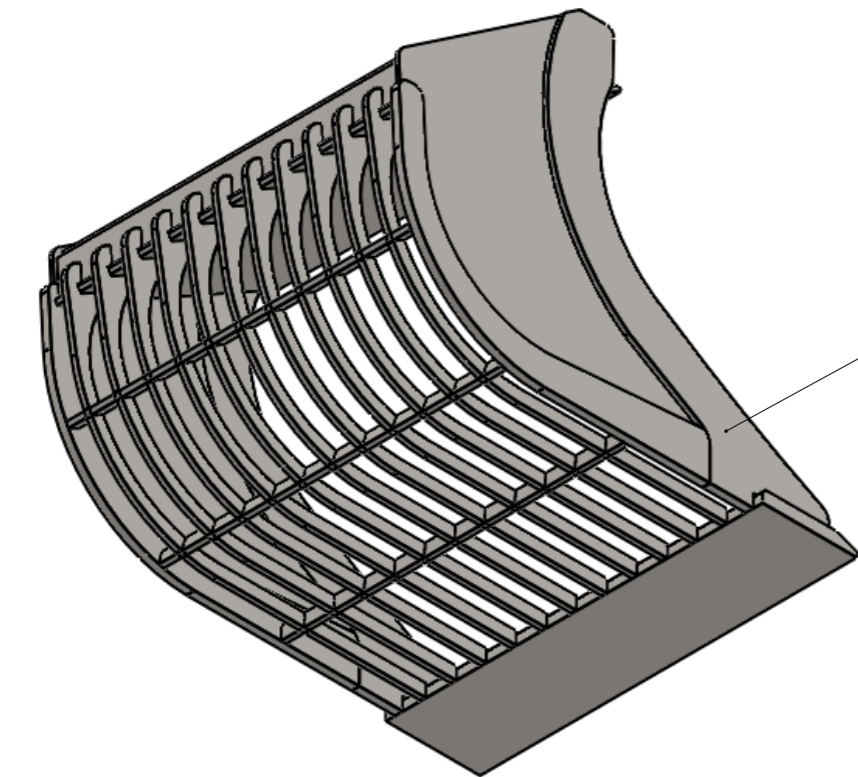
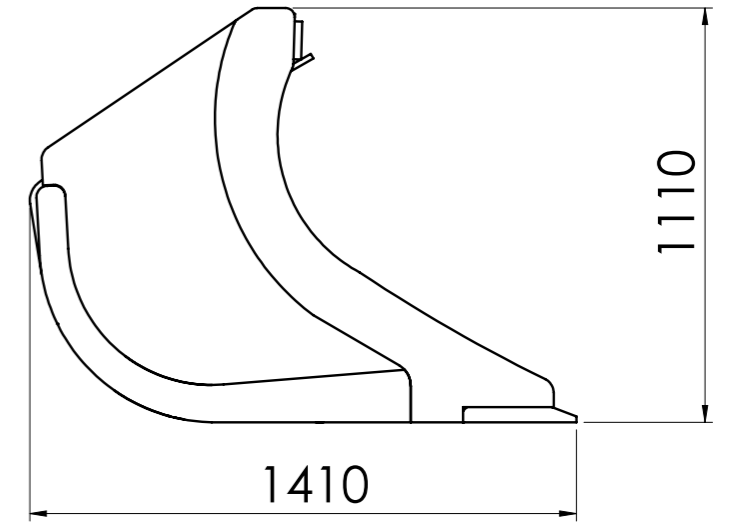
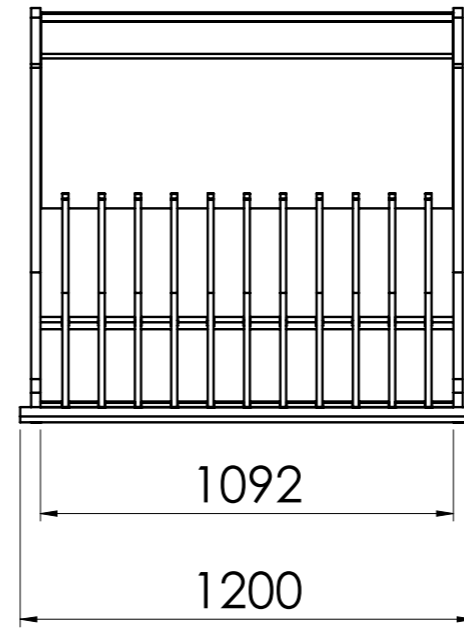
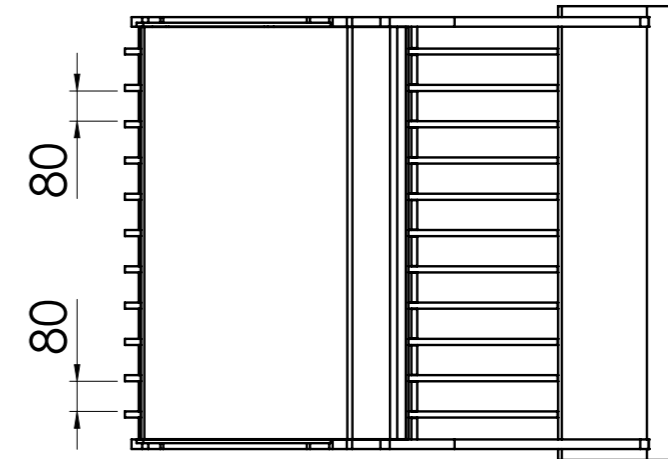


1



2



3

3	Side member	HB 400	25 mm
2	Bottom bar	HB 400	16 mm
1	Front edge	HB 500	40x300x1200 mm

NO.	TITLE	MATERIAL	DESCRIPTION
-----	-------	----------	-------------

	Volume	1200 L	Mass	740 kg	Scale
--	--------	--------	------	--------	-------

Drawn	Teet Toming	Name	
Checked		DGB223S	
Approved			

	Sheet	Date
	1 of 1	17.09.2015