

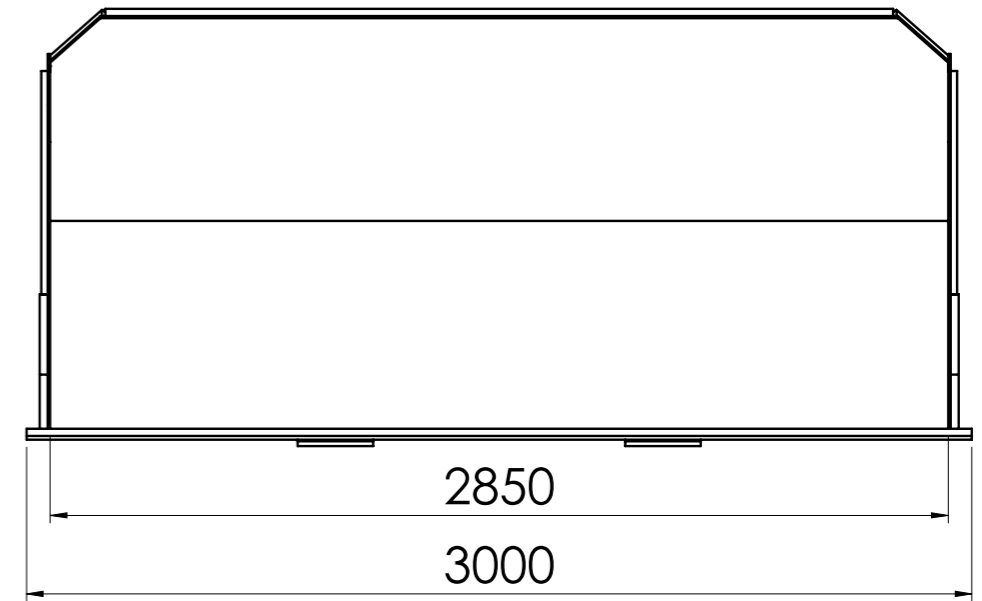
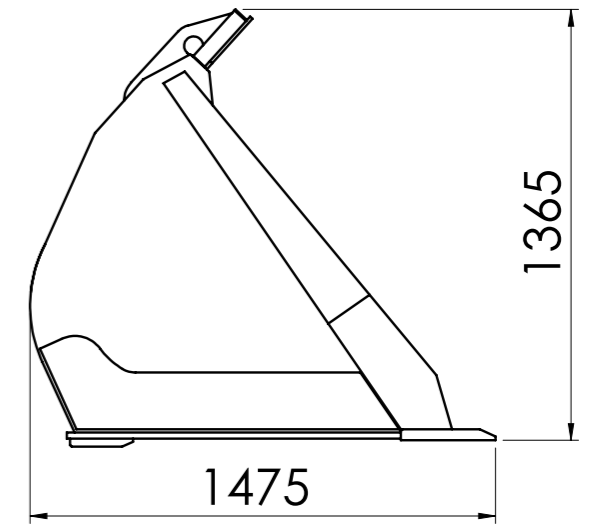
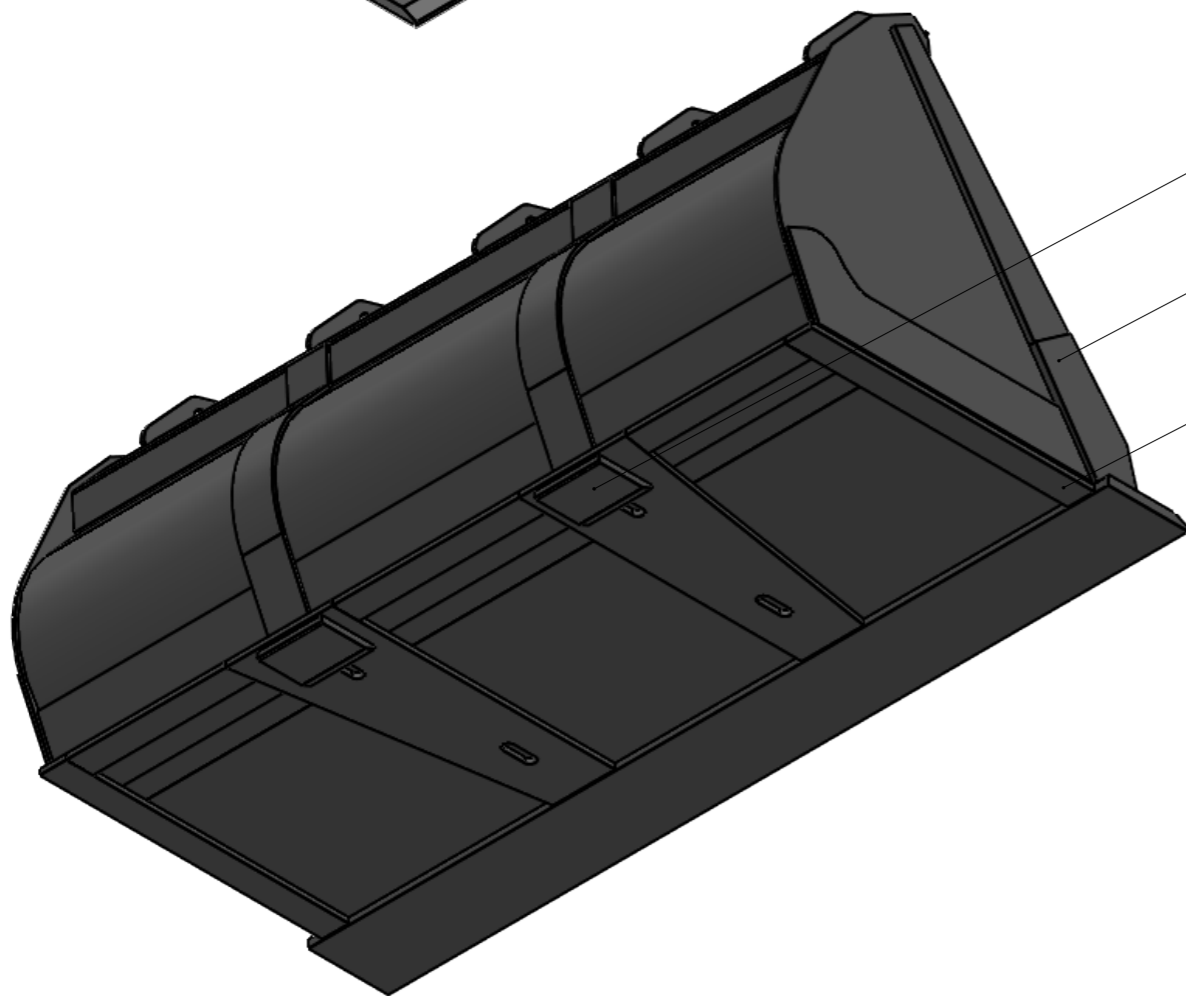
1

2

3

4

5



5	Bottom bar	HB 500	20x100 mm
4	Side member	HB 400	25 mm
3	Back edge	HB 500	25x200x240 mm
2	Bottom plate	HB 400	10 mm
1	Front edge	HB 500	35x300x3000 mm

NO.	TITLE	MATERIAL	DESCRIPTION
-----	-------	----------	-------------

	Volume	3500 L	Mass	1450 kg	Scale

Drawn	Teet Toming	Name
Checked		
Approved		
		GRB 455

	Sheet	Date
	1 of 1	6.04.2016