

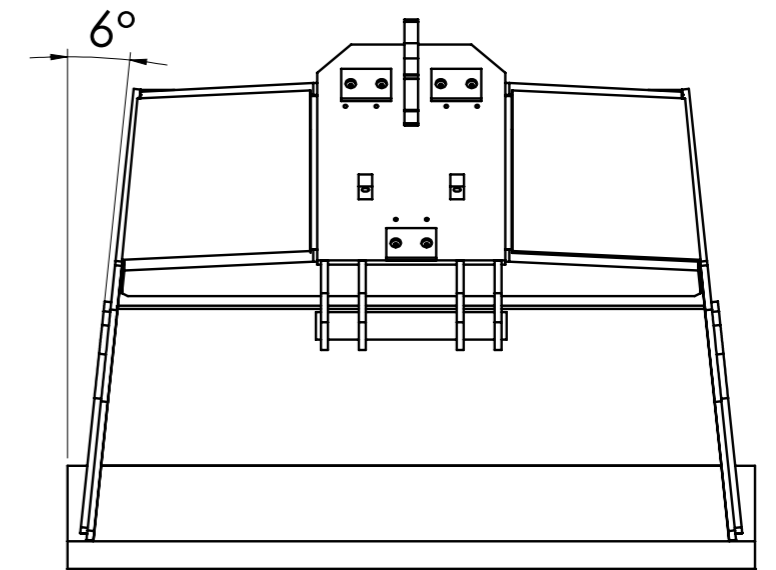
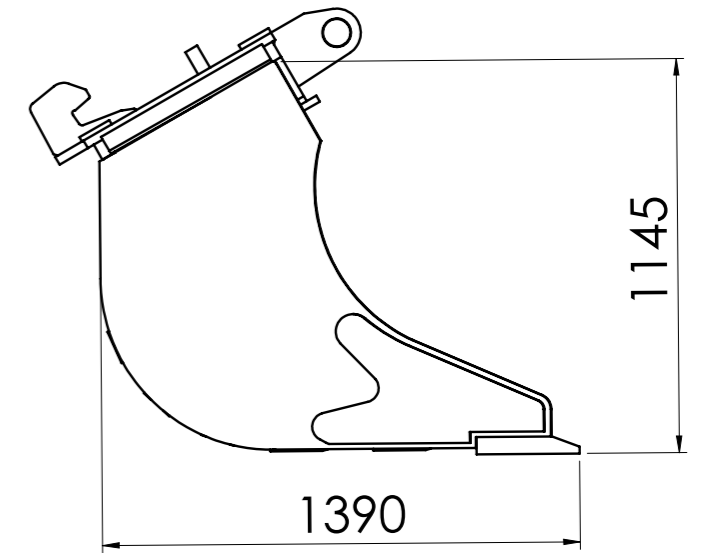
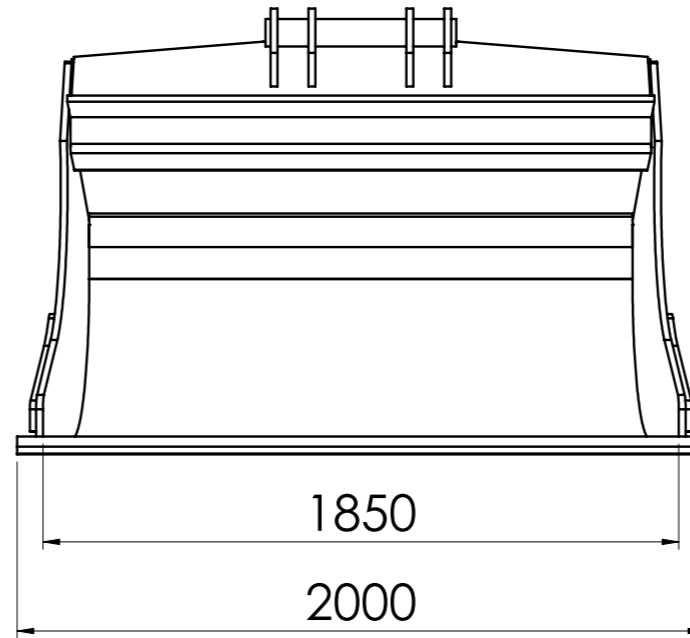
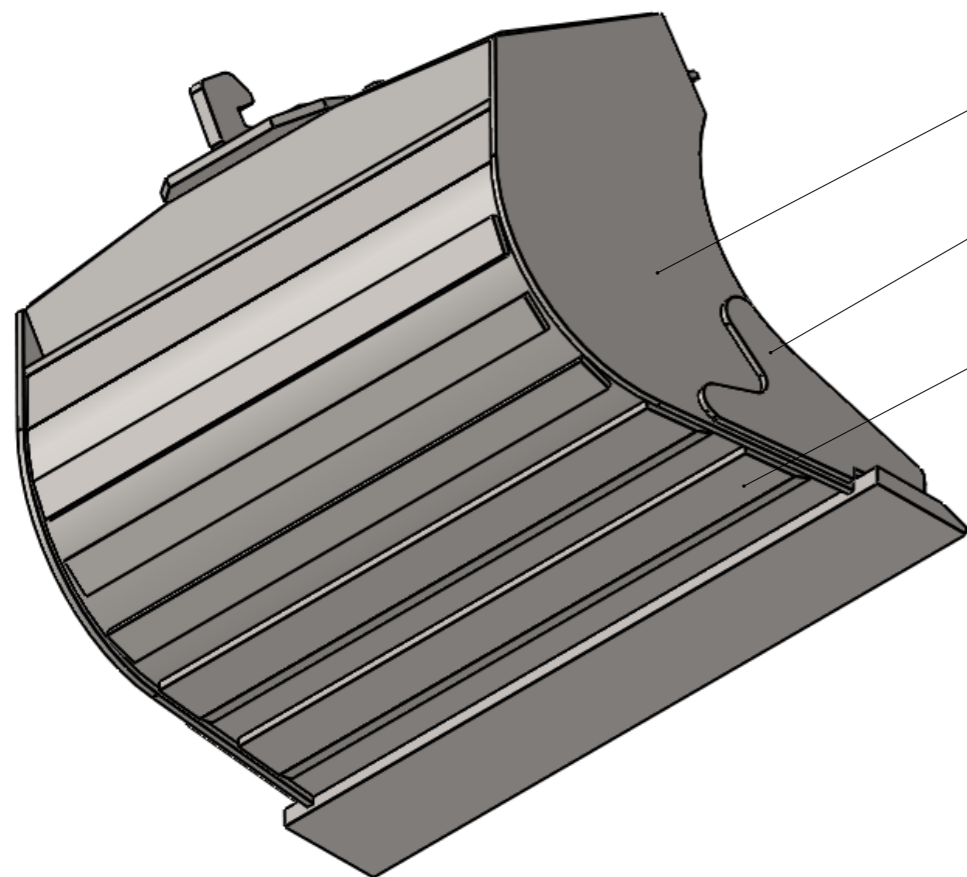
1

2

3

4

5



|   |              |        |                  |
|---|--------------|--------|------------------|
| 5 | Bottom bar   | HB 500 | 16x150/20x100 mm |
| 4 | Side member  | HB 400 | 20 mm            |
| 3 | Side         | HB 400 | 20 mm            |
| 2 | Bottom plate | HB 400 | 12 mm            |
| 1 | Front edge   | HB 500 | 50x300x2000 mm   |

| NO. | TITLE | MATERIAL | DESCRIPTION |
|-----|-------|----------|-------------|
|-----|-------|----------|-------------|

|  |        |        |      |         |       |
|--|--------|--------|------|---------|-------|
|  | Volume | 1500 L | Mass | 1610 kg | Scale |
|  |        |        |      |         |       |

|          |             |        |
|----------|-------------|--------|
| Drawn    | Teet Toming | Name   |
| Checked  |             |        |
| Approved |             |        |
|          |             | SPB153 |

|  |        |            |
|--|--------|------------|
|  | Sheet  | Date       |
|  | 1 of 1 | 14.01.2016 |