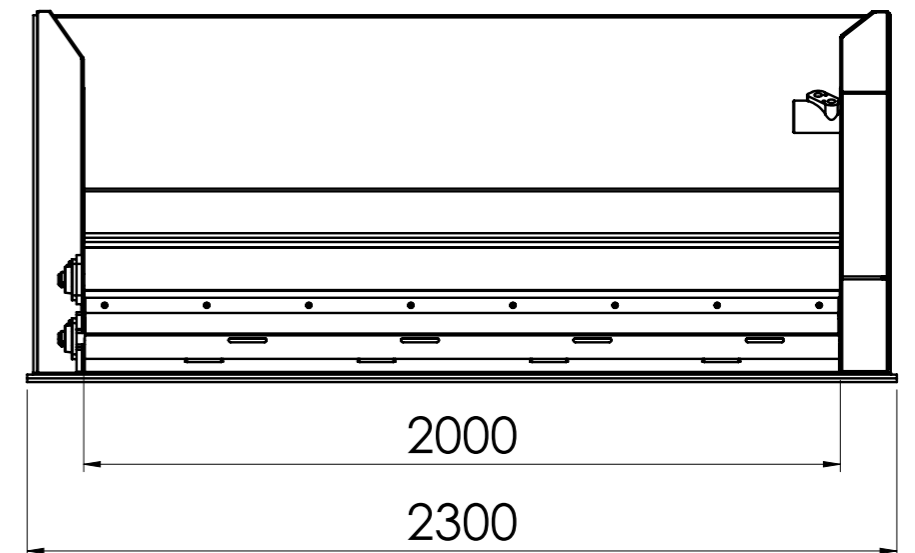


1

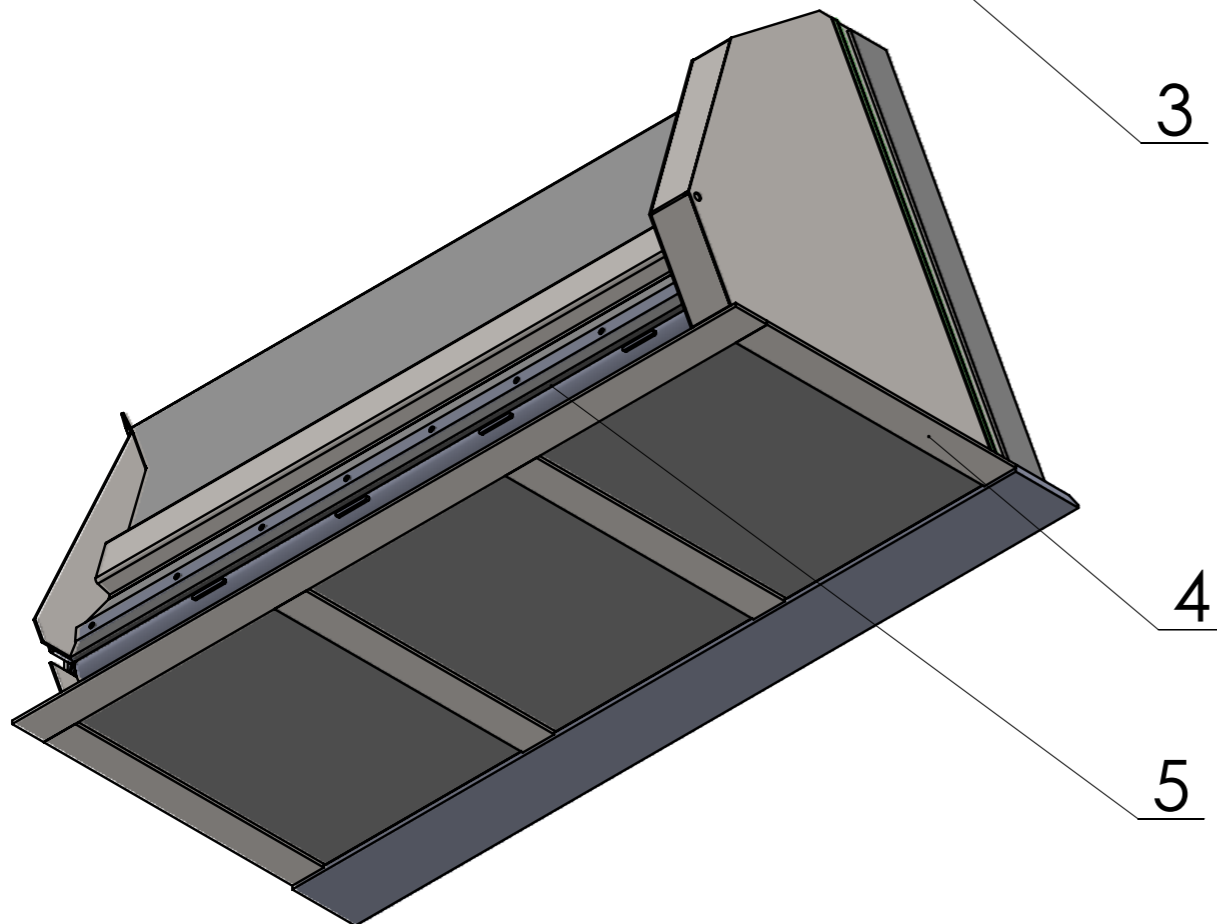
2

3



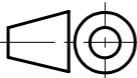
4

5




5	Spreader shaft	S355	-
4	Bottom bar	S355	10x100 mm
3	Crusher shaft	S355	-
2	Bottom plate	S355	5 mm
1	Front edge	HB 500	20x200x2300 mm

NO.	TITLE	MATERIAL	DESCRIPTION
-----	-------	----------	-------------

	Volume	1500 L	Mass	620 kg	Scale
---	--------	--------	------	--------	-------

Drawn	Teet Toming	Name
Checked		
Approved		
		SSB 1500

	Sheet	Date
	1 of 1	10.12.2015